



US00D704095S

(12) **United States Design Patent**
Kowalewski

(10) **Patent No.:** **US D704,095 S**

(45) **Date of Patent:** **** May 6, 2014**

(54) **D-RING**

(71) Applicant: **Joseph M. Kowalewski**, Gansevoort,
NY (US)

(72) Inventor: **Joseph M. Kowalewski**, Gansevoort,
NY (US)

(**) Term: **14 Years**

(21) Appl. No.: **29/440,481**

(22) Filed: **Dec. 21, 2012**

(51) **LOC (10) Cl.** **02-07**

(52) **U.S. Cl.**
USPC **D11/200**

(58) **Field of Classification Search**

CPC A44B 11/00; A44B 21/00
USPC D11/1-2, 200-201, 206-210, 214-218,
D11/230; 24/163 R, 169-171, 173, 177-179,
24/191, 194-195, 197, 200, 614-616, 625,
24/198, 578.11, 578.1, 163 K, 114;
D22/108; 7/151, 152; D8/33
See application file for complete search history.

(56) **References Cited**

U.S. PATENT DOCUMENTS

| | | | | | |
|-----------|------|---------|-----------------|-------|----------|
| D34,265 | S * | 3/1901 | Holmes | | D11/216 |
| 828,573 | A * | 8/1906 | Rubin | | 24/376 |
| 1,253,647 | A * | 1/1918 | Torrey | | 24/598.2 |
| 3,077,650 | A * | 2/1963 | Horne | | 24/200 |
| 3,102,317 | A * | 9/1963 | Cadley | | 24/664 |
| D333,804 | S * | 3/1993 | Franklin | | D11/218 |
| 5,433,289 | A | 7/1995 | O'Rourke | | |
| 5,588,184 | A * | 12/1996 | Chen | | 24/170 |
| D389,779 | S * | 1/1998 | Poynter | | D11/218 |
| 5,732,660 | A | 3/1998 | David et al. | | |
| 5,785,010 | A | 7/1998 | Koch | | |
| 5,809,618 | A * | 9/1998 | Perhacs | | 24/71.1 |
| 6,827,044 | B2 | 12/2004 | Lobanoff et al. | | |
| 7,343,647 | B1 * | 3/2008 | Kinskey et al. | | 24/3.13 |
| D586,257 | S * | 2/2009 | Goldman | | D11/200 |
| D593,901 | S * | 6/2009 | Gurule | | D11/200 |

| | | | | | |
|--------------|-----|---------|-----------------|-------|---------|
| D622,180 | S * | 8/2010 | Cresswell | | D11/218 |
| 8,177,025 | B2 | 5/2012 | Lang et al. | | |
| D668,579 | S * | 10/2012 | Petty et al. | | D11/218 |
| D670,599 | S * | 11/2012 | Shaanan et al. | | D11/218 |
| D672,281 | S * | 12/2012 | Schurian et al. | | D11/218 |
| 2007/0034165 | A1 | 2/2007 | Yang | | |
| 2010/0031897 | A1 | 2/2010 | Moeller | | |
| 2010/0326767 | A1 | 12/2010 | Guthrie et al. | | |
| 2011/0214941 | A1 | 9/2011 | Petty et al. | | |
| 2012/0260865 | A1 | 10/2012 | Nesper | | |

OTHER PUBLICATIONS

Adjustable_Dog_Collar-Orvis-K-9_Explorer_Dog_Collar
[http://www.orvis.com/store/product.aspx?pf_id=8H52&adv=127748&cm_mmc=GoogPLA-_-Prod_feeds-_-Prod_feeds-_-127748&CAWELAID=1706476052&catargetid=1796449733&cagpspn=pla].

* cited by examiner

Primary Examiner — Ralf Seifert

(74) *Attorney, Agent, or Firm* — Tech Valley Patent, LLC; John Pietrangelo

(57) **CLAIM**

The ornamental design for a D-ring, as shown and described.

DESCRIPTION

FIG. 1 is a front perspective view of a D-ring, comprising the new design shown in a typical environment by broken lines for illustrative purposes;

FIG. 2 is a rear perspective view thereof;

FIG. 3 is a top view thereof;

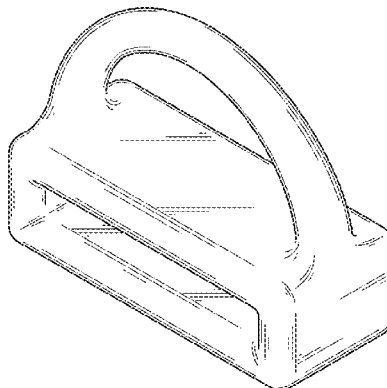
FIG. 4 is a left side elevation view thereof, the right side elevation view being a mirror image thereof;

FIG. 5 is a front elevation view thereof, the rear elevation view being a mirror image thereof; and,

FIG. 6 is a bottom view thereof.

The broken lines shown in FIG. 1 are for the purpose of illustrating environmental structure and form no part of the claimed design.

1 Claim, 2 Drawing Sheets



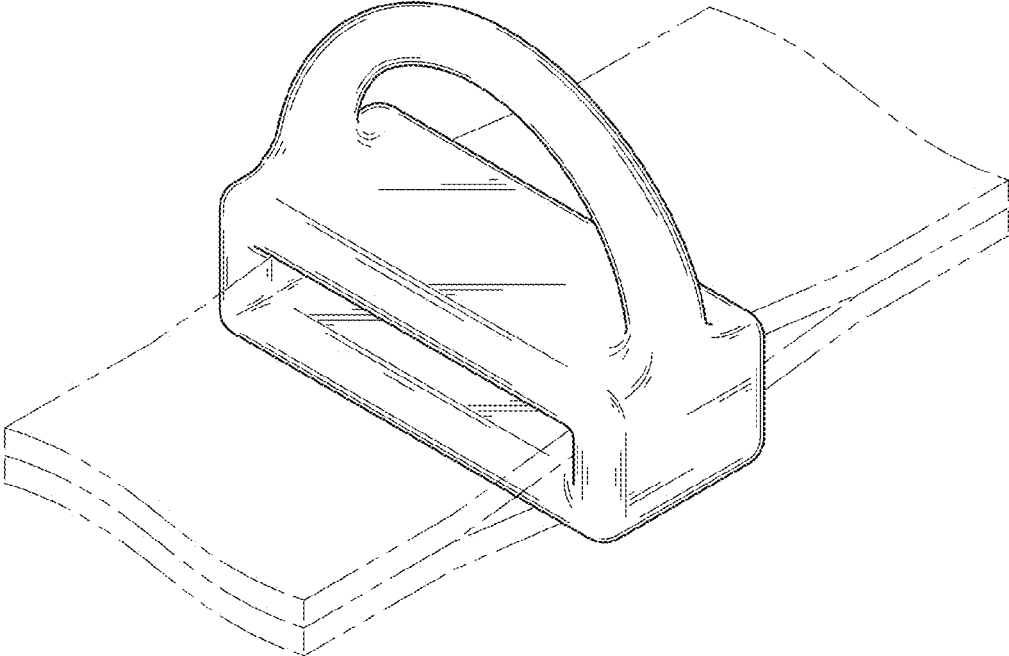


FIG. 1

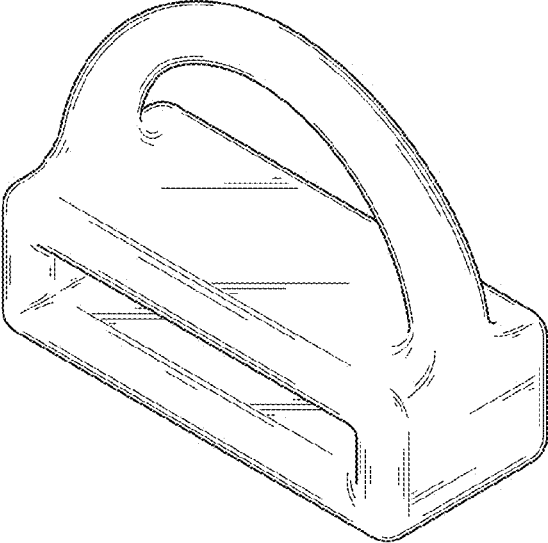


FIG. 2

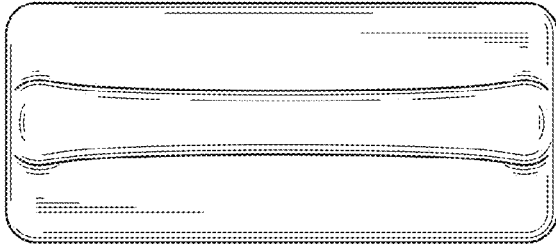


FIG. 3

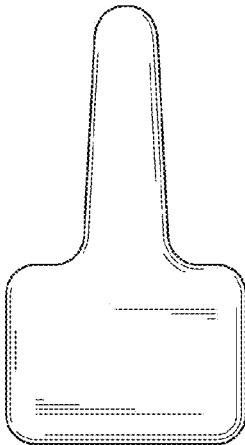


FIG. 4

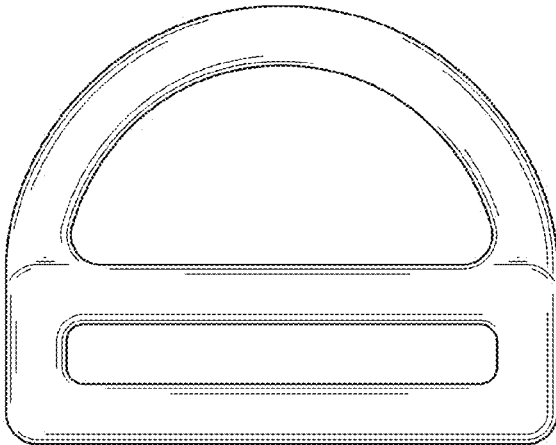


FIG. 5

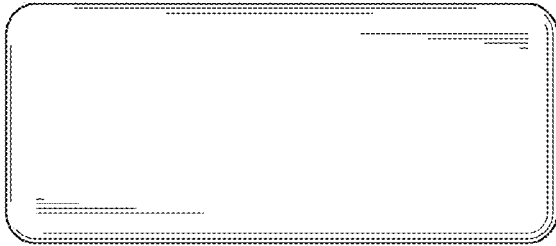


FIG. 6