

(12) **United States Design Patent** (10) **Patent No.:** **US D737,015 S**
Reed et al. (45) **Date of Patent:** **** Aug. 18, 2015**

(54) **OAR CARRIER**
 (71) Applicants: **Timothy M. Reed**, Gansevoort, NY
 (US); **Timothy S. Reed**, Gansevoort, NY
 (US)
 (72) Inventors: **Timothy M. Reed**, Gansevoort, NY
 (US); **Timothy S. Reed**, Gansevoort, NY
 (US)
 (**) Term: **14 Years**

D659,723 S 5/2012 Hoover
 D702,550 S 4/2014 Rendo
 D728,890 S * 5/2015 Reed et al. D34/28
 2001/0048053 A1 12/2001 Donoho
 2010/0116946 A1 5/2010 Ginsberg
 2011/0290952 A1 12/2011 Masters et al.
 2014/0312191 A1 10/2014 Reed et al.
 2014/0332639 A1 11/2014 Ahlem et al.

(21) Appl. No.: **29/522,878**
 (22) Filed: **Apr. 3, 2015**

OTHER PUBLICATIONS
 Non-final Office Action issued for related Utility U.S. Appl. No. 14/253,498 mailed on Mar. 13, 2015.
 * cited by examiner

Related U.S. Application Data

(63) Continuation of application No. 29/452,509, filed on Apr. 17, 2013, now Pat. No. Des. 728,890.
 (51) **LOC (10) Cl.** **12-05**
 (52) **U.S. Cl.**
 USPC **D34/28**
 (58) **Field of Classification Search**
 USPC D34/28; 114/343, 364; 224/917, 913,
 224/42.4, 42.38, 42.14, 42.15, 310;
 248/68.1, 73, 316.8, 907; 211/60.1,
 211/70.8, 182
 See application file for complete search history.

Primary Examiner — Cynthia Ramirez
 (74) *Attorney, Agent, or Firm* — Tech Valley Patent, LLC;
 John Pietrangelo

(57) **CLAIM**
 The ornamental design for an oar carrier, as shown and described.

(56) **References Cited**
 U.S. PATENT DOCUMENTS

2,376,955	A	5/1945	Ball
2,797,851	A	7/1957	Leake
3,116,730	A	1/1964	Tingley
4,352,337	A	10/1982	Wyoral
4,453,490	A	6/1984	Miller
4,777,900	A	10/1988	Abeene et al.
4,863,082	A	9/1989	Evans et al.
5,005,509	A	4/1991	Williams
5,906,304	A	5/1999	Baldacchino
D441,653	S	5/2001	LeRoux
6,386,377	B1	5/2002	Yeoman
D643,991	S	8/2011	Miller et al.

DESCRIPTION

This application is related to co-ending U.S. Non-Provisional application Ser. No. 14/253,498, filed on Apr. 15, 2014, the disclosures of which are included by reference herein in their entirety.
 FIG. 1 is a front perspective view of an oar carrier showing our new design;
 FIG. 2 is a front elevation view thereof, the rear elevation view being a mirror image thereof;
 FIG. 3 is a left side elevation view thereof;
 FIG. 4 is a right side elevation view thereof;
 FIG. 5 is a top view thereof;
 FIG. 6 is a bottom view thereof; and,
 FIG. 7 is a front perspective view of the new design in a typical environment, the rear perspective view being a mirror image thereof.
 The broken lines shown in the figures are included for the purposes of illustrating environment and form no part of the claimed design.

1 Claim, 5 Drawing Sheets

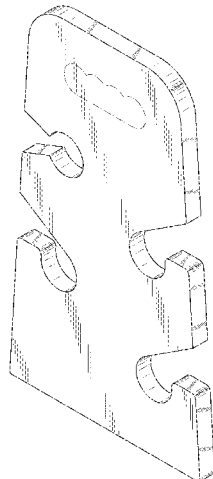


FIG. 1

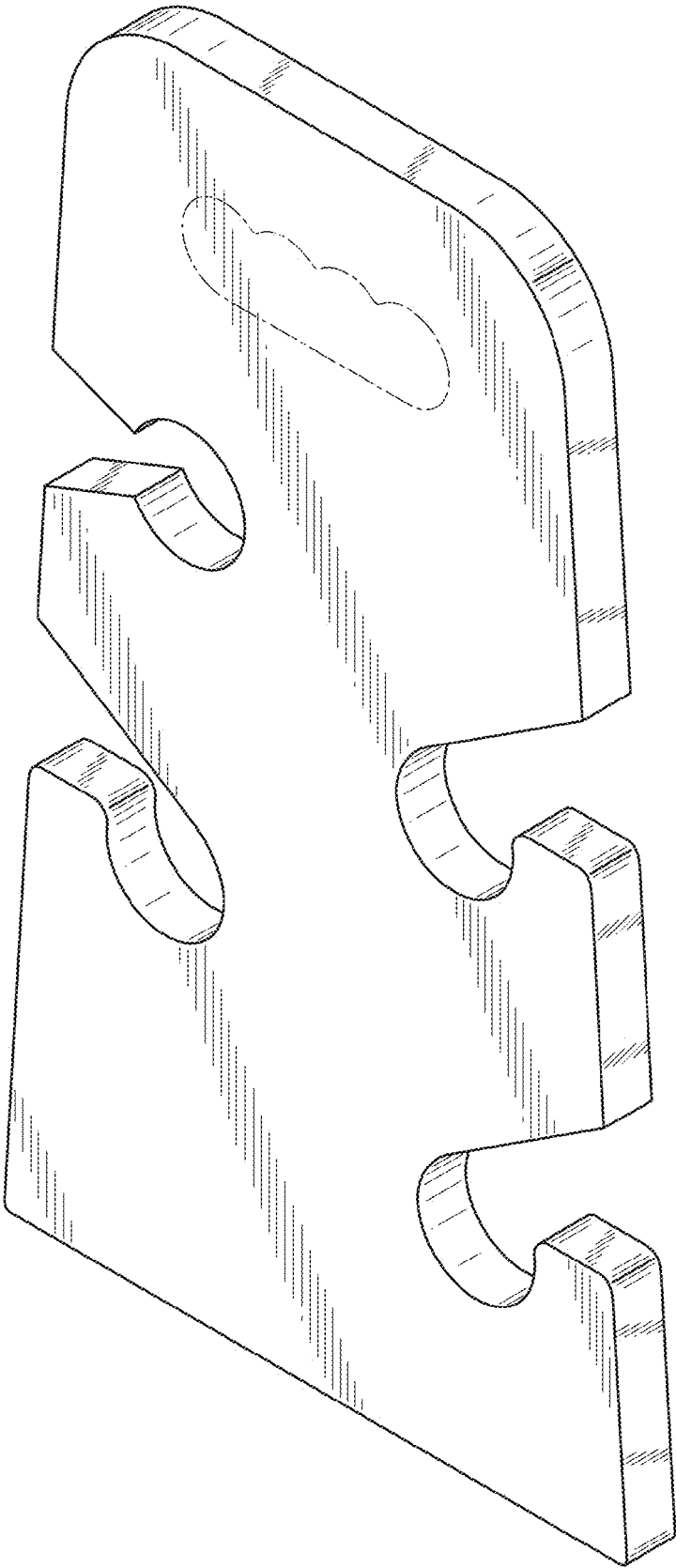


FIG. 2

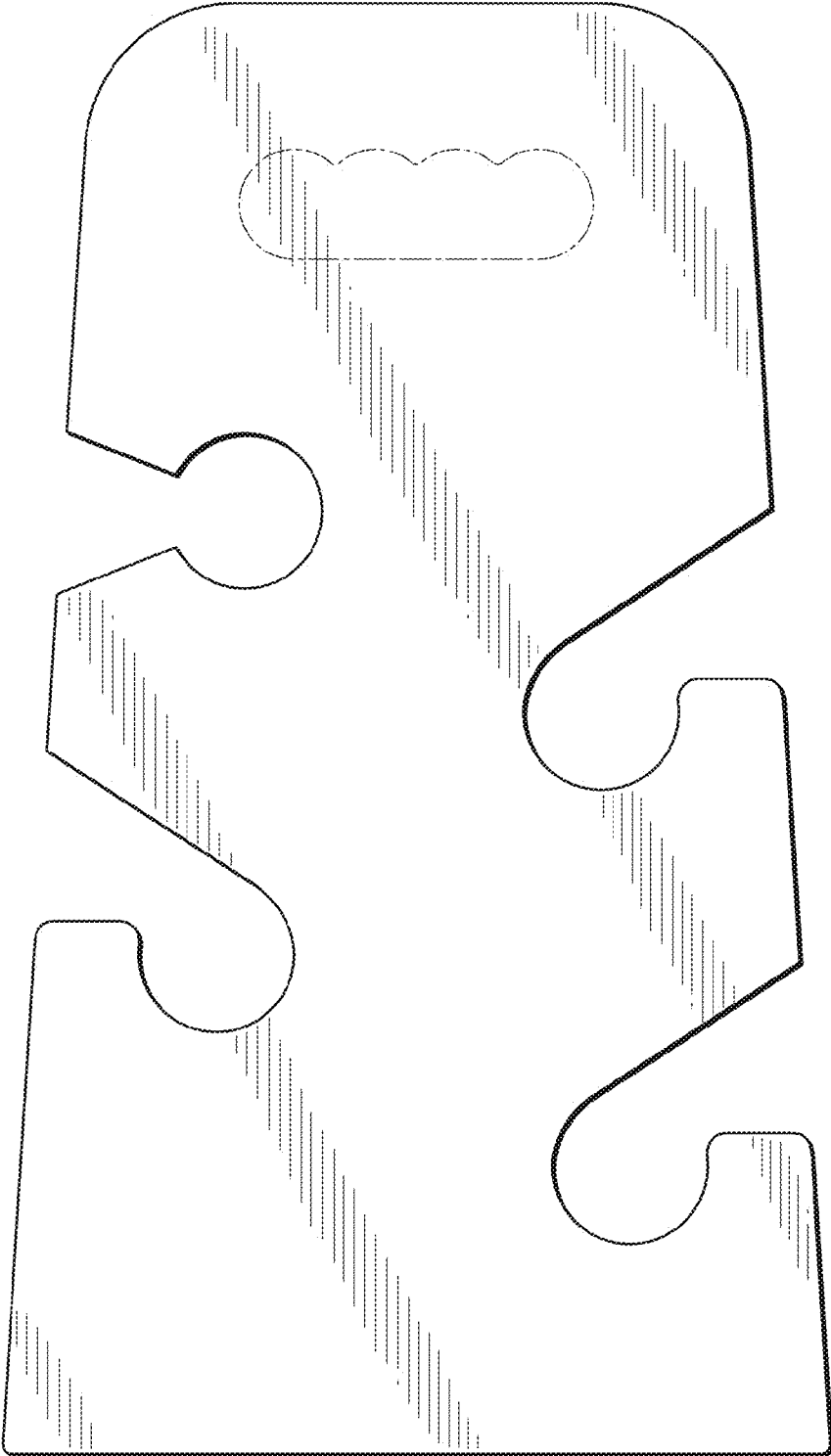


FIG. 3

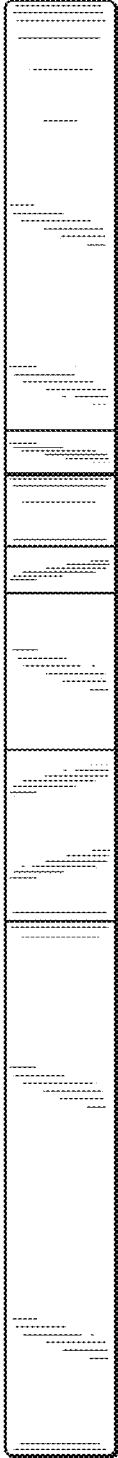


FIG. 4



FIG. 5



FIG. 6



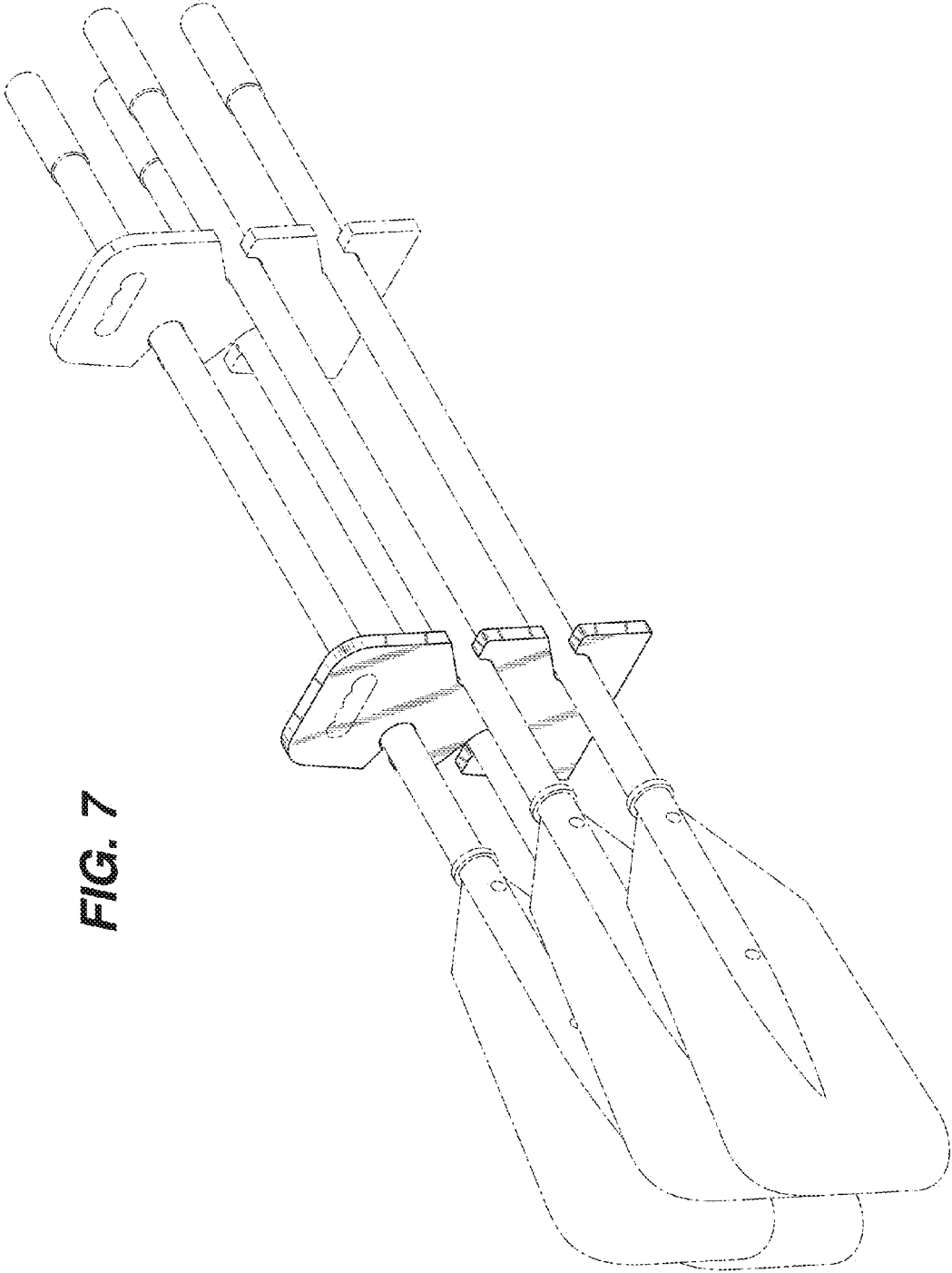


FIG. 7