



US00D683441S

(12) **United States Design Patent**
Simone

(10) **Patent No.:** **US D683,441 S**

(45) **Date of Patent:** **** May 28, 2013**

(54) **VENTILATION DUCT PLUG**

(76) Inventor: **Gianni Simone**, Queensbury, NY (US)

(**) Term: **14 Years**

(21) Appl. No.: **29/392,321**

(22) Filed: **May 19, 2011**

(51) **LOC (9) Cl.** **23-04**

(52) **U.S. Cl.**
USPC **D23/393**

(58) **Field of Classification Search** D23/385–395,
D23/397, 370–373, 365, 351, 354, 399–403,
D23/421, 499; 454/309, 275–277, 284, 287–292,
454/358–363, 201; 52/302.1, 32.07; D9/444,
D9/435; 55/481, 486, 385.6; D6/482
See application file for complete search history.

(56) **References Cited**

U.S. PATENT DOCUMENTS

D189,056	S	*	10/1960	Parker	D9/444
D229,185	S	*	11/1973	Bledsoe	D23/388
3,793,813	A	*	2/1974	McAllister	55/481
D231,786	S	*	6/1974	Burnley	D30/107
4,389,827	A	*	6/1983	Van Valkenburg	454/201
4,471,757	A	*	9/1984	Rogers	D23/403
D279,601	S	*	7/1985	Sexton	D23/388
D300,656	S	*	4/1989	Buehler	D23/403
D309,776	S	*	8/1990	Rudolph	D23/385
D321,456	S	*	11/1991	Wolff	D9/435
D327,348	S	*	6/1992	Skorheim	D9/435
D349,618	S	*	8/1994	Barfield	D6/482
5,509,950	A	*	4/1996	van de Graaf et al.	55/486
D393,707	S	*	4/1998	Kelly	D23/373
D394,901	S	*	6/1998	Governale et al.	D23/354
6,052,959	A	*	4/2000	LaBrosse	52/302.1
6,238,467	B1	*	5/2001	Azarian et al.	55/385.6

6,866,579	B2	3/2005	Pilger	
D521,630	S	*	5/2006	Achen D23/386
7,140,960	B2	11/2006	Pilger	
D536,778	S	*	2/2007	O'Hagin D23/393
D638,925	S	*	5/2011	Charlebois et al. D23/388

OTHER PUBLICATIONS

Speedi-Boot Brochure, "Speedi-Boot, The New Standard in Vent Boot Installation," Applied Applications International, Inc., 2004, 4 pages. speediboot.com.

* cited by examiner

Primary Examiner — David Muller

(74) *Attorney, Agent, or Firm* — Tech Valley Patent, LLC; John Pietrangelo

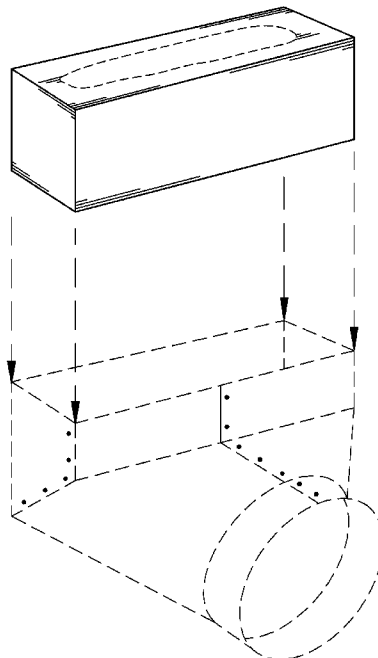
(57) **CLAIM**

The ornamental design for a ventilation duct plug, as shown and described.

DESCRIPTION

FIG. 1 is a perspective view of a ventilation duct plug comprising the new design;
FIG. 2 is a top plan view thereof;
FIG. 3 is a front elevation view thereof, the rear elevation view being a mirror image thereof;
FIG. 4 is a left end view thereof, the right end view being a mirror image thereof;
FIG. 5 is a top perspective of the design shown in FIGS. 1-4 in a different environment, having a filtering medium shown in broken lines; and,
FIG. 6 is a bottom perspective view thereof.
The dashed lines that appear in FIGS. 1 through 6 illustrate environment only and form no part of the claimed design.

1 Claim, 6 Drawing Sheets



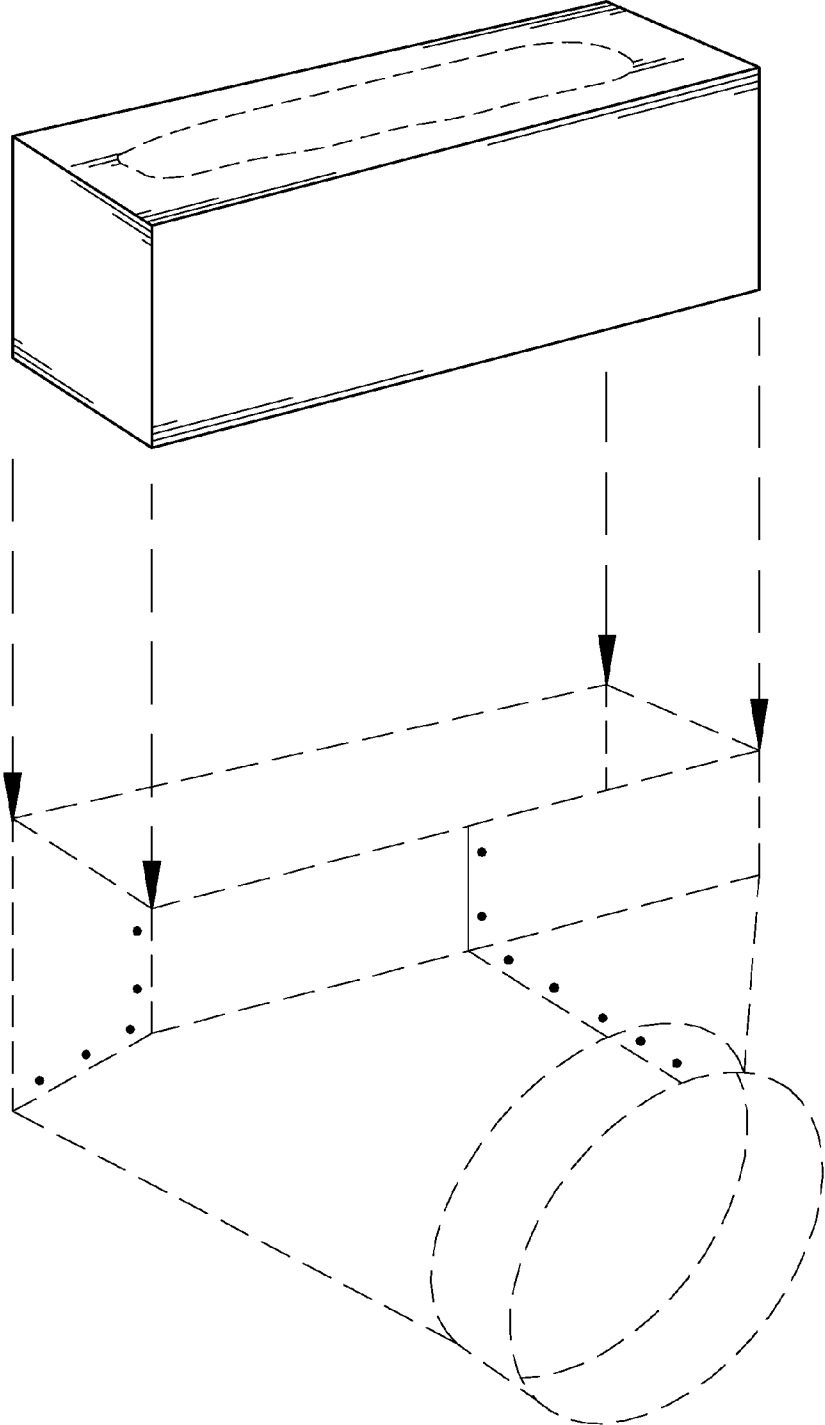


FIG. 1

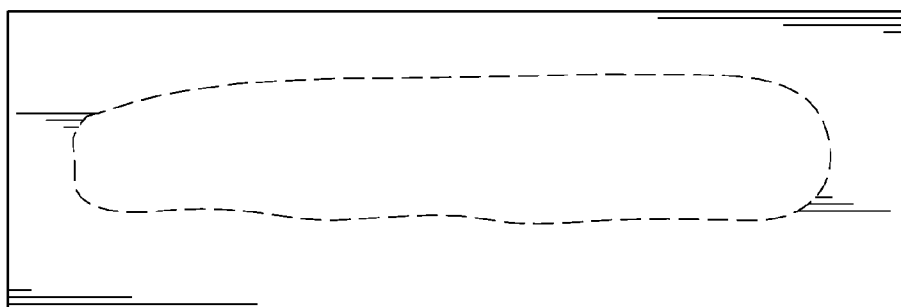


FIG. 2



FIG. 3

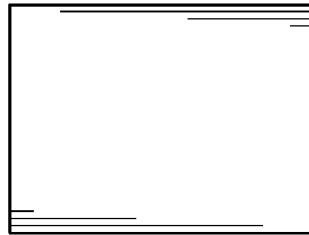


FIG. 4

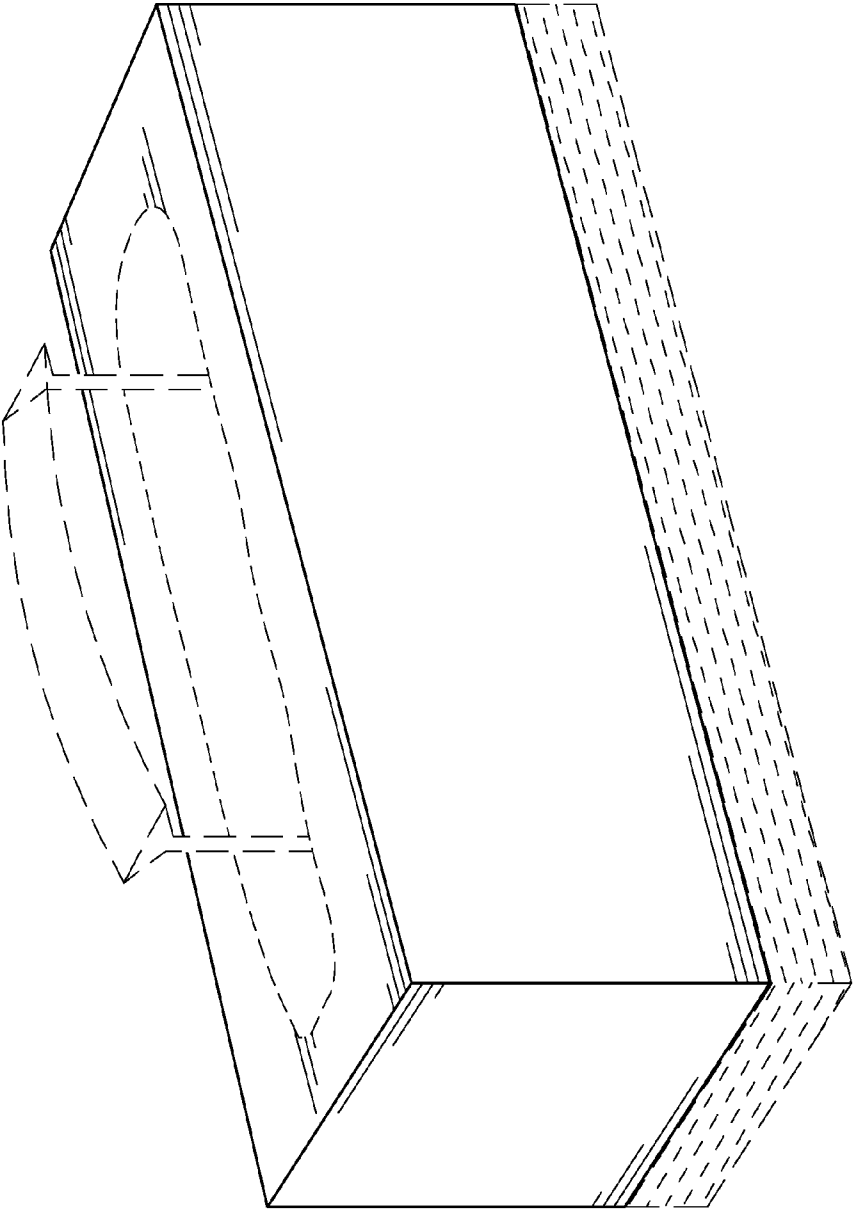


FIG. 5

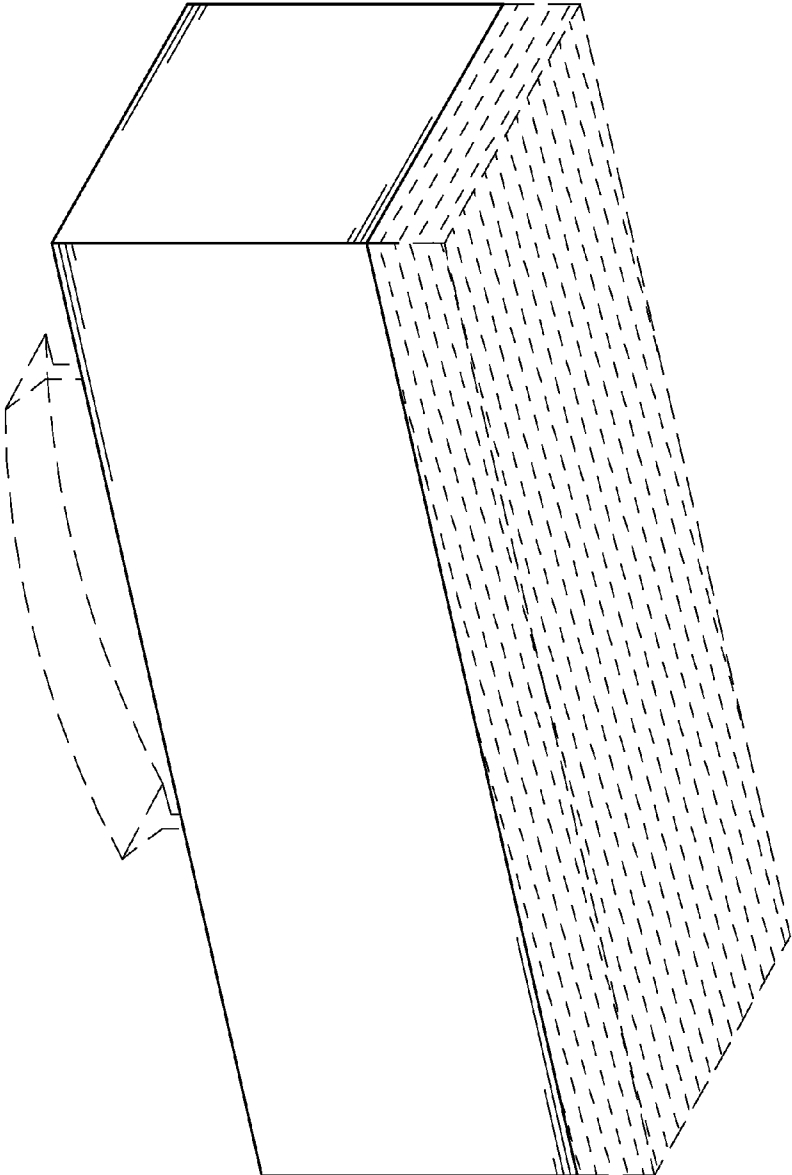


FIG. 6