



US00D869778S

(12) **United States Design Patent**
Kirshon

(10) **Patent No.:** **US D869,778 S**

(45) **Date of Patent:** **** Dec. 10, 2019**

- (54) **HELMET**
- (71) Applicant: **IMPACT TECHNOLOGIES, LLC**,
Cleverdale, NY (US)
- (72) Inventor: **Jason E. Kirshon**, Albany, NY (US)
- (73) Assignee: **Impact Technologies, LLC**, Cleverdale,
NY (US)
- (**) Term: **15 Years**
- (21) Appl. No.: **29/677,860**
- (22) Filed: **Jan. 24, 2019**

8,856,972 B2 * 10/2014 Kirshon A42B 3/12
2/413
D744,170 S * 11/2015 Eastwood D29/102
D745,998 S * 12/2015 Sansalone D29/102
(Continued)

OTHER PUBLICATIONS

Office Action—Restriction for parent U.S. Appl. No. 29/612,075
dated Oct. 2, 2018, 6 pages.
(Continued)

Primary Examiner — Ruth McNroy
(74) *Attorney, Agent, or Firm* — Tech Valley Patent,
LLC; John Pietrangelo

Related U.S. Application Data

- (62) Division of application No. 29/612,075, filed on Jul.
28, 2017, now Pat. No. Des. 844,252.
- (51) **LOC (12) Cl.** **29-02**
- (52) **U.S. Cl.**
USPC **D29/122**
- (58) **Field of Classification Search**
USPC D29/102–110, 112, 122; D2/869, 870;
358/471; D16/208
CPC .. A63B 71/10; A42B 3/00; A42B 3/18; A42B
3/20; A42B 3/185; A42B 3/225; A42B
3/121; A42B 3/12; A42B 3/0406; A42B
3/10; A42B 1/04; A42B 1/041; A61F 9/06
See application file for complete search history.

CLAIM

(57) The ornamental design for a helmet, as shown and described.

DESCRIPTION

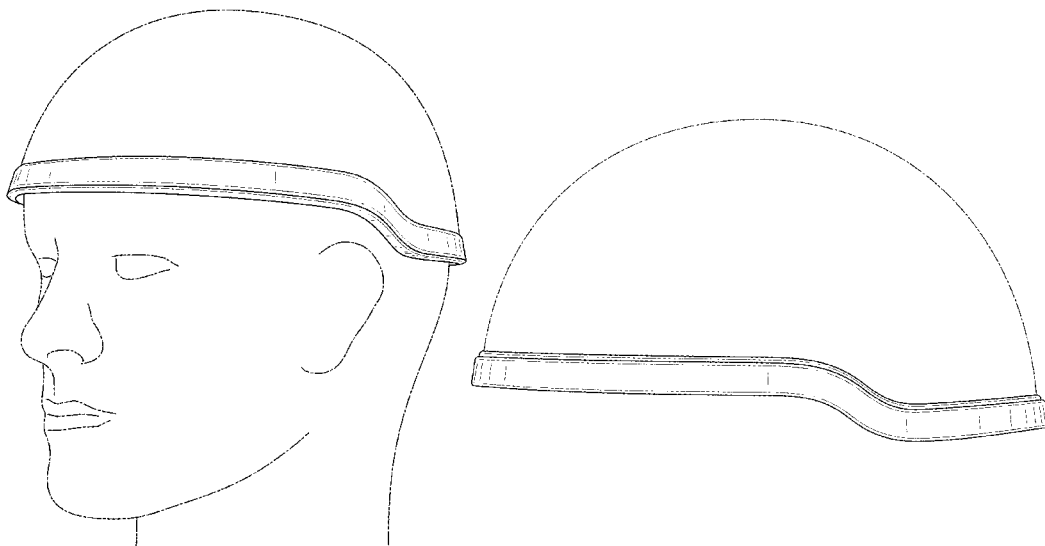
FIG. 1 is a front, right perspective of a helmet showing my new design;
FIG. 2 is a front elevation view of FIG. 1;
FIG. 3 is a right-side elevation view of FIG. 1, the left side being a mirror image thereof;
FIG. 4 is a rear elevation view of FIG. 1;
FIG. 5 is a top plan view of FIG. 1;
FIG. 6 is a bottom view of FIG. 1;
FIG. 7 is a front, right perspective of a second embodiment thereof;
FIG. 8 is a front elevation view of FIG. 7;
FIG. 9 is a right-side elevation view of FIG. 7, the left side being a mirror image thereof;
FIG. 10 is a rear elevation view of FIG. 7;
FIG. 11 is atop plan view of FIG. 7; and
FIG. 12 is a bottom view of FIG. 7.
The details shown in broken lines form no part of the claimed design.

References Cited

U.S. PATENT DOCUMENTS

- D266,626 S * 10/1982 Gooding D29/106
- 6,085,357 A * 7/2000 Broersma A42B 3/08
2/416
- D495,093 S * 8/2004 Tintera D29/102
- 7,069,597 B2 * 7/2006 Hardenbrook A42B 1/041
2/171
- D695,966 S * 12/2013 Futterer D29/102
- D715,003 S * 10/2014 Ramos D29/103

1 Claim, 12 Drawing Sheets



(56)

References Cited

U.S. PATENT DOCUMENTS

D749,272 S *	2/2016	Vito	D29/122
9,572,390 B1 *	2/2017	Simpson	A42B 3/12
D844,252 S	3/2019	Kirshon	
2018/0153244 A1	6/2018	Kirshon	

OTHER PUBLICATIONS

Office Action—Restriction for related U.S. Appl. No. 29/626,852, dated Oct. 2, 2018, 6 pages.

Office Action for related U.S. Appl. No. 29/626,852, dated Dec. 4, 2018, 5 pages.

* cited by examiner

FIG. 1

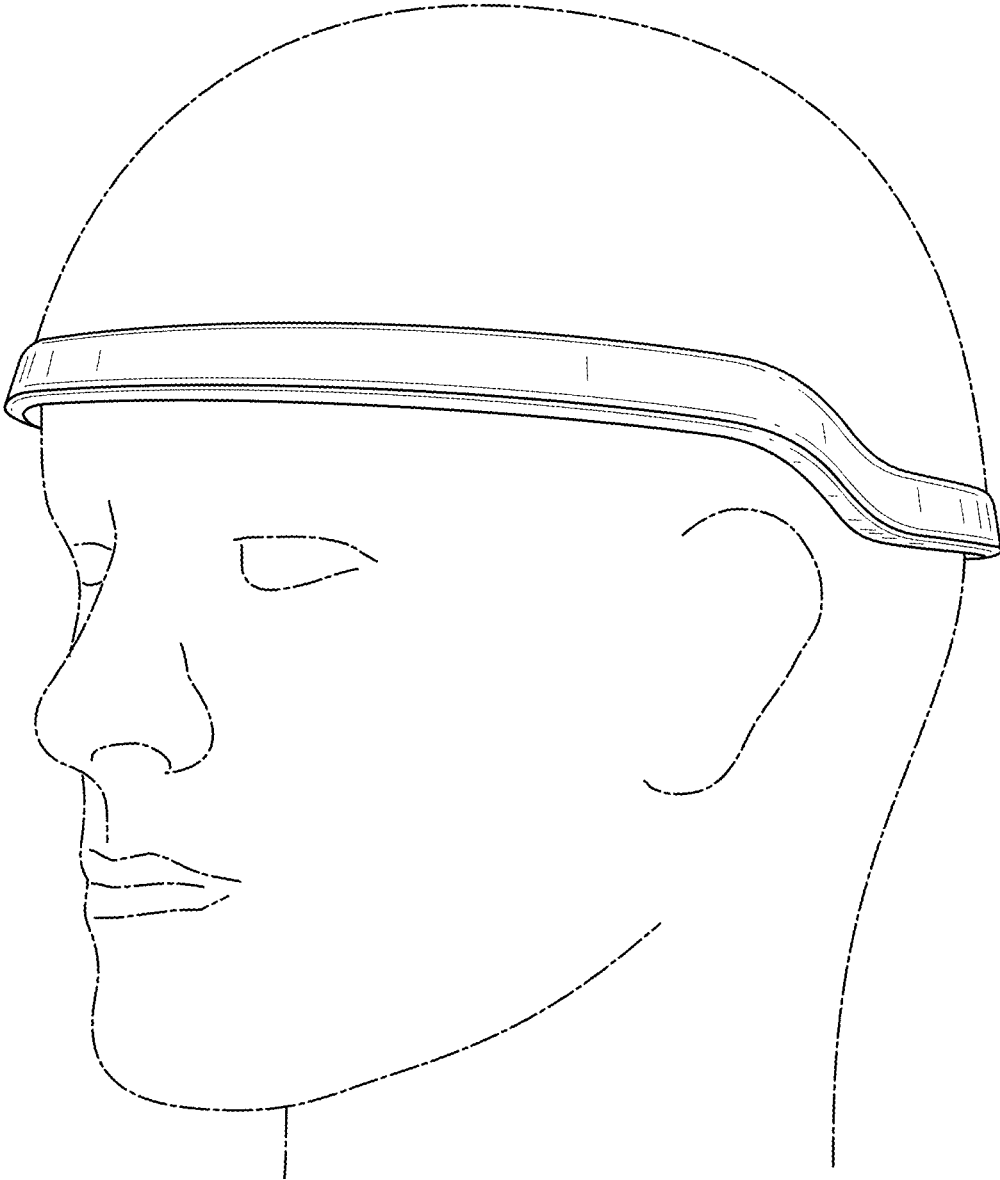


FIG. 2

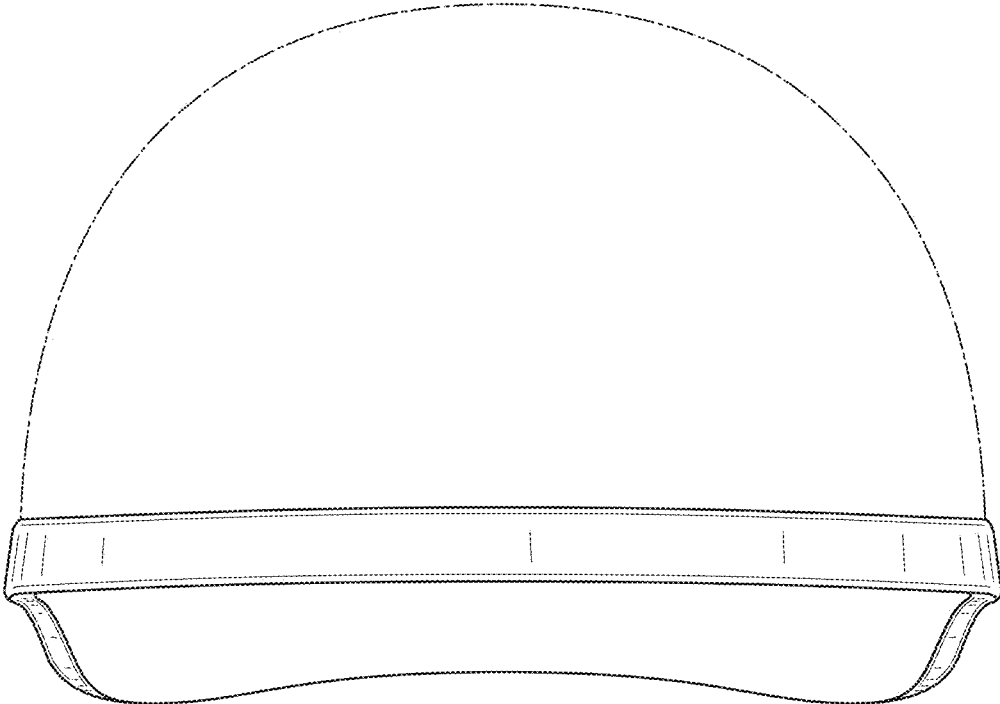


FIG. 3

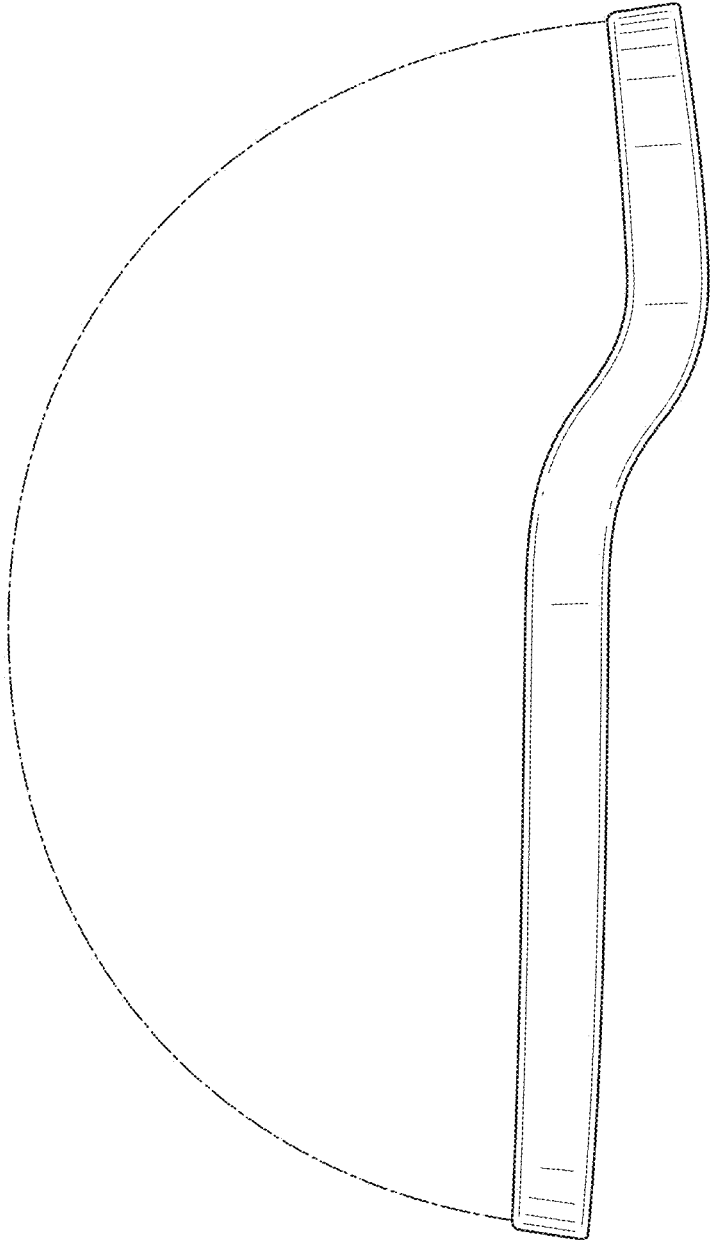


FIG. 4

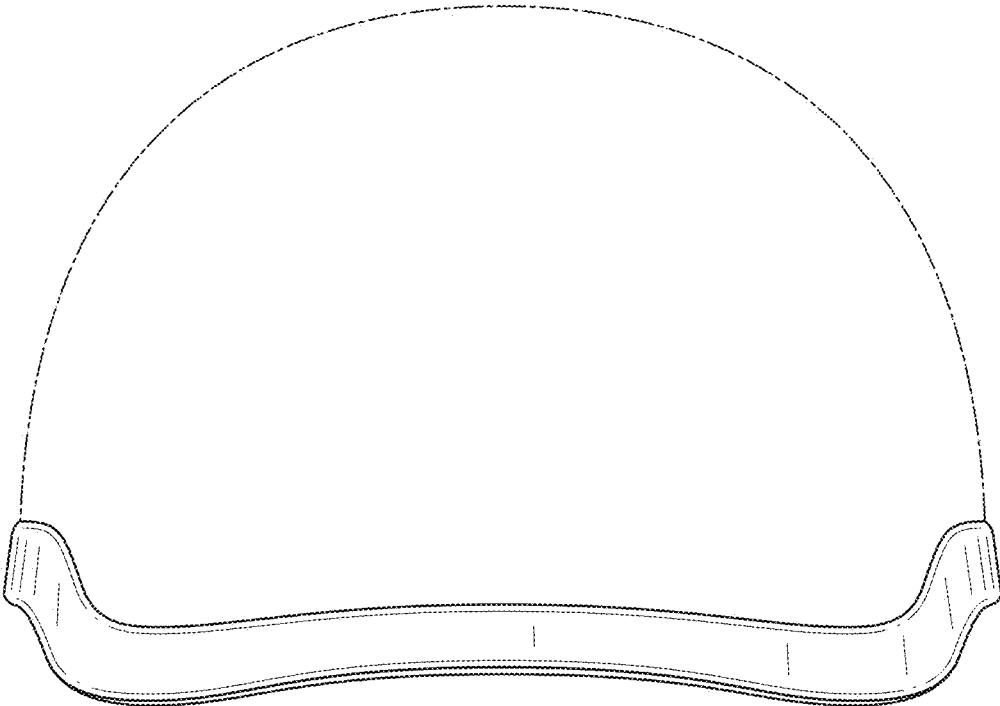


FIG. 5

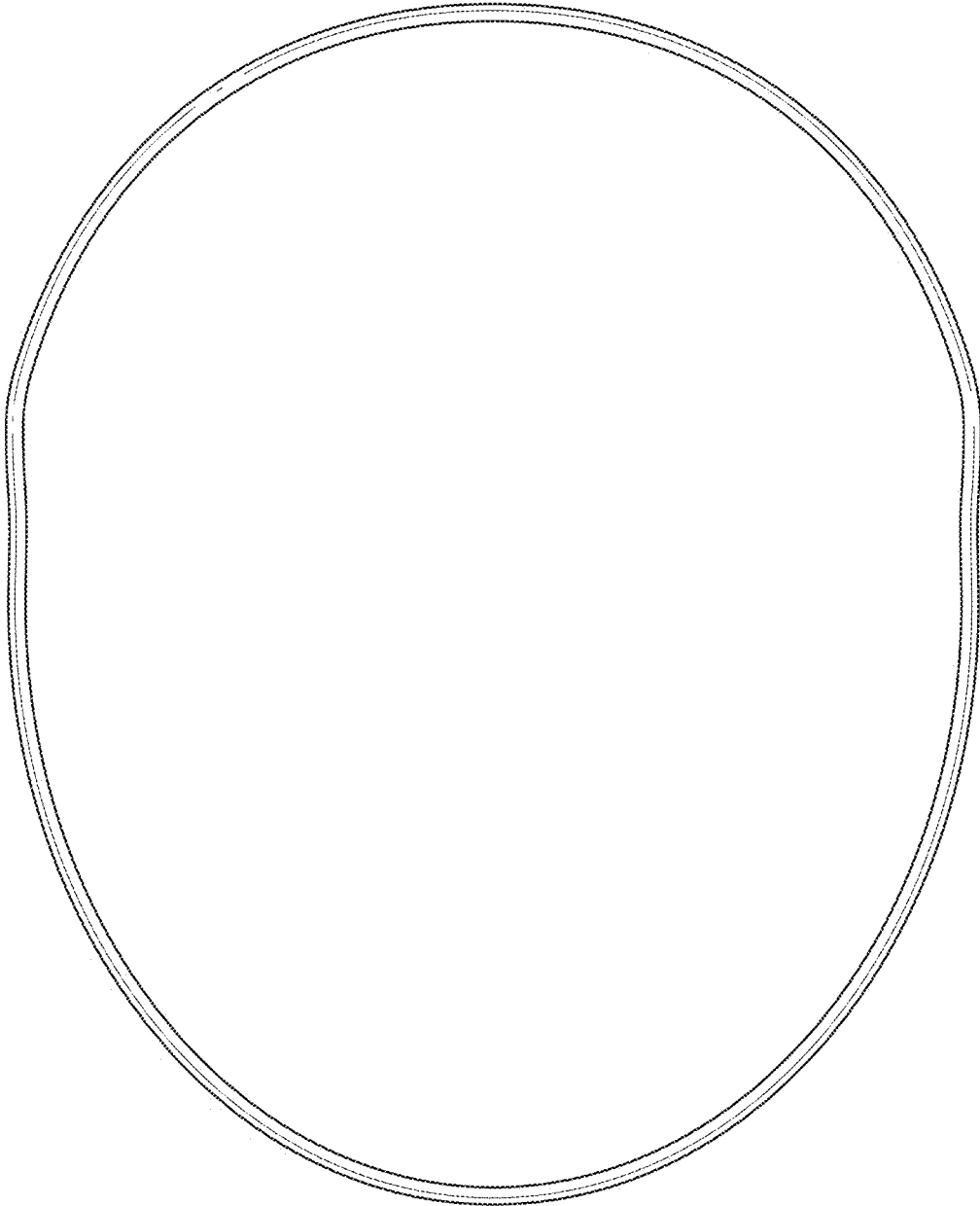


FIG. 6

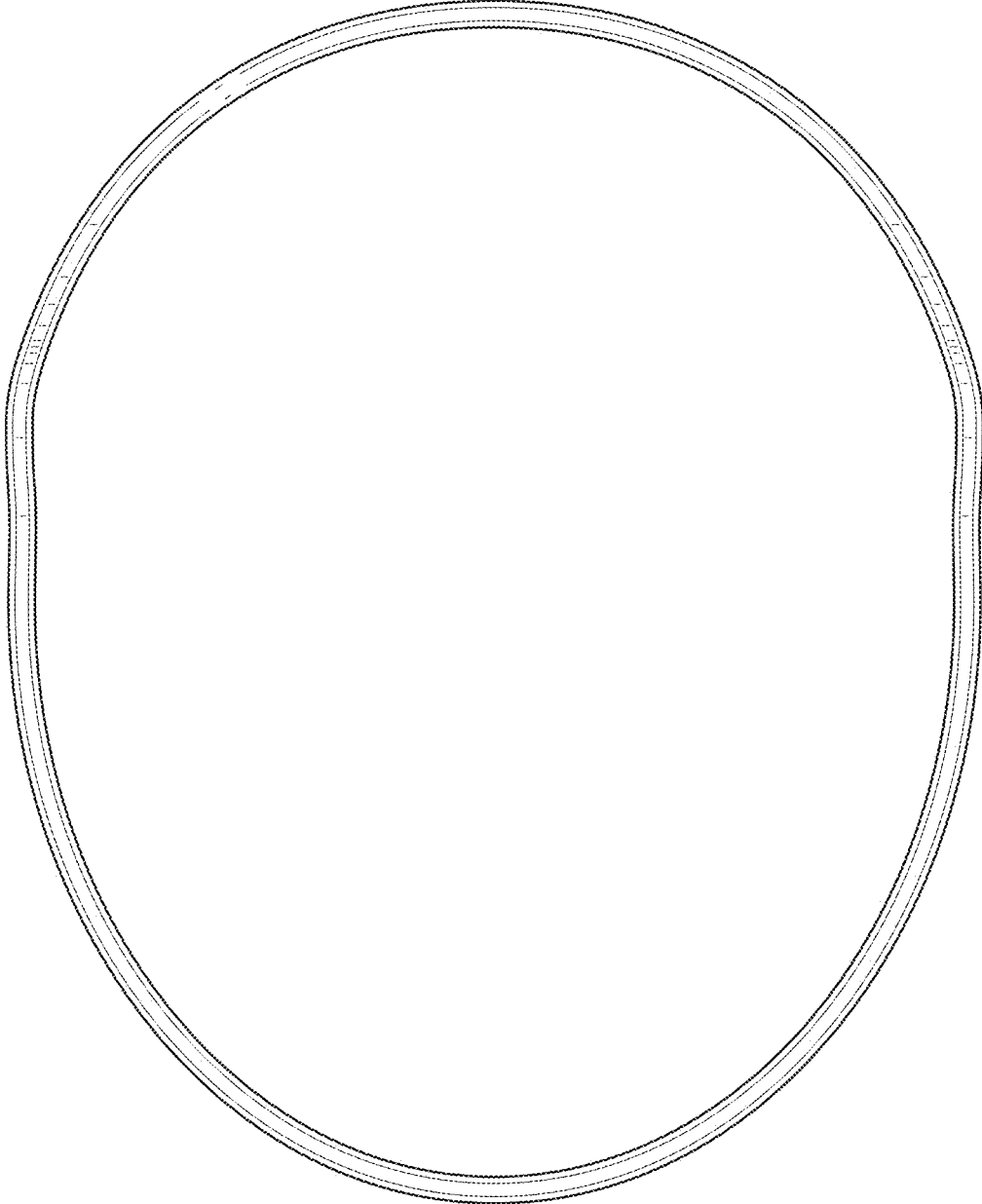


FIG. 7

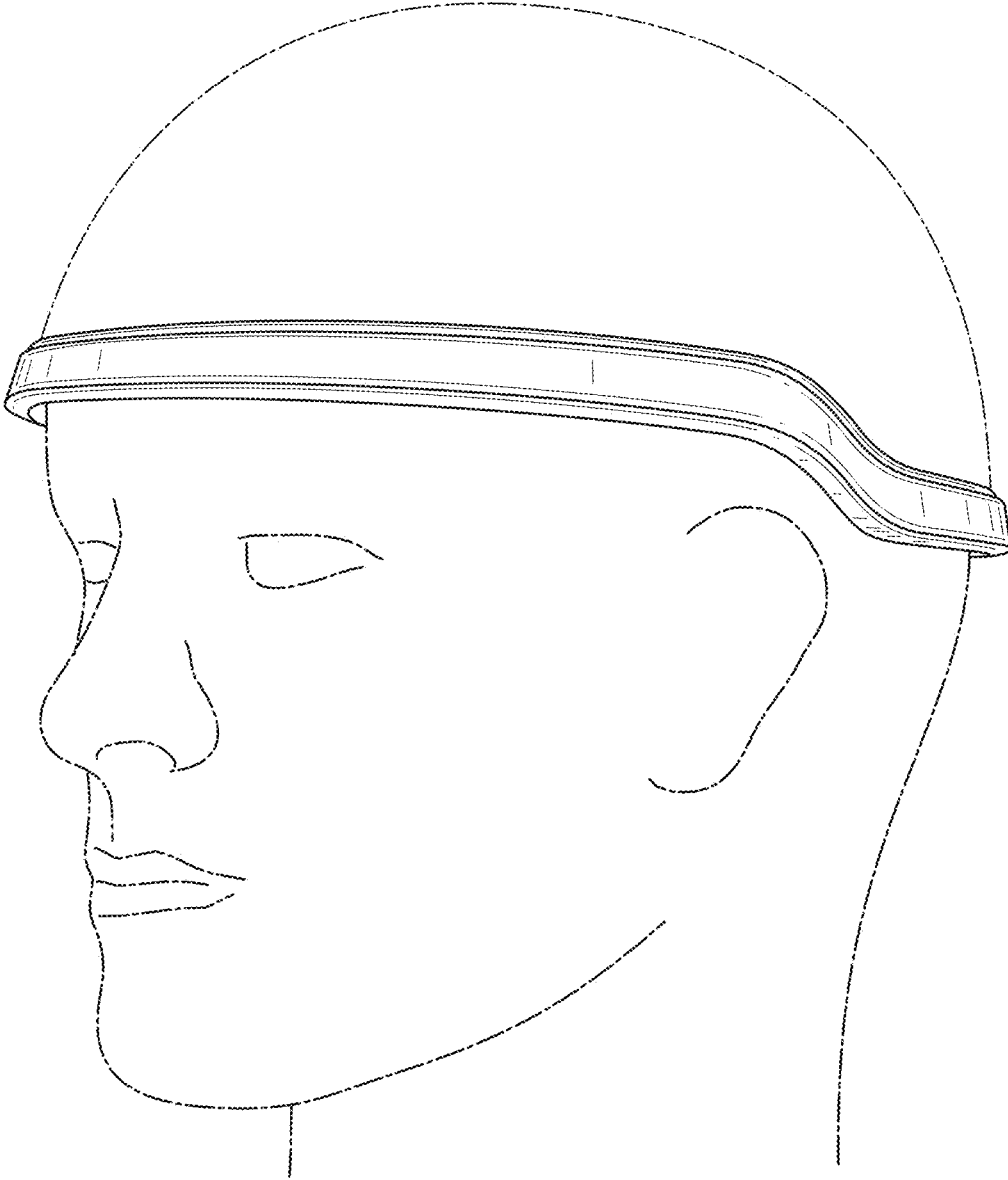


FIG. 8

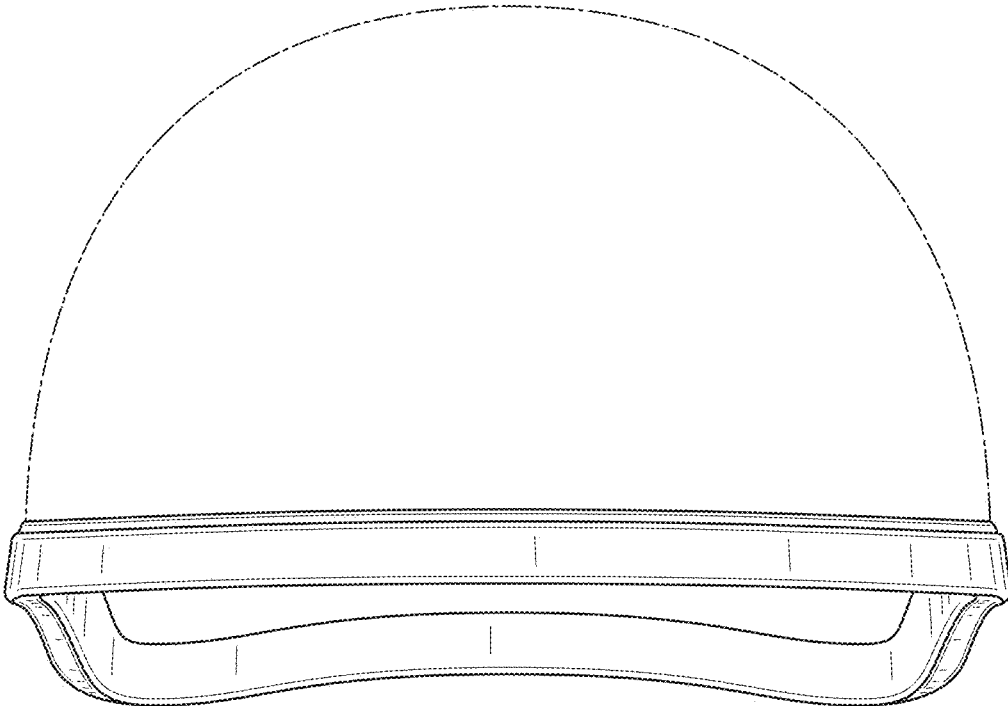


FIG. 9

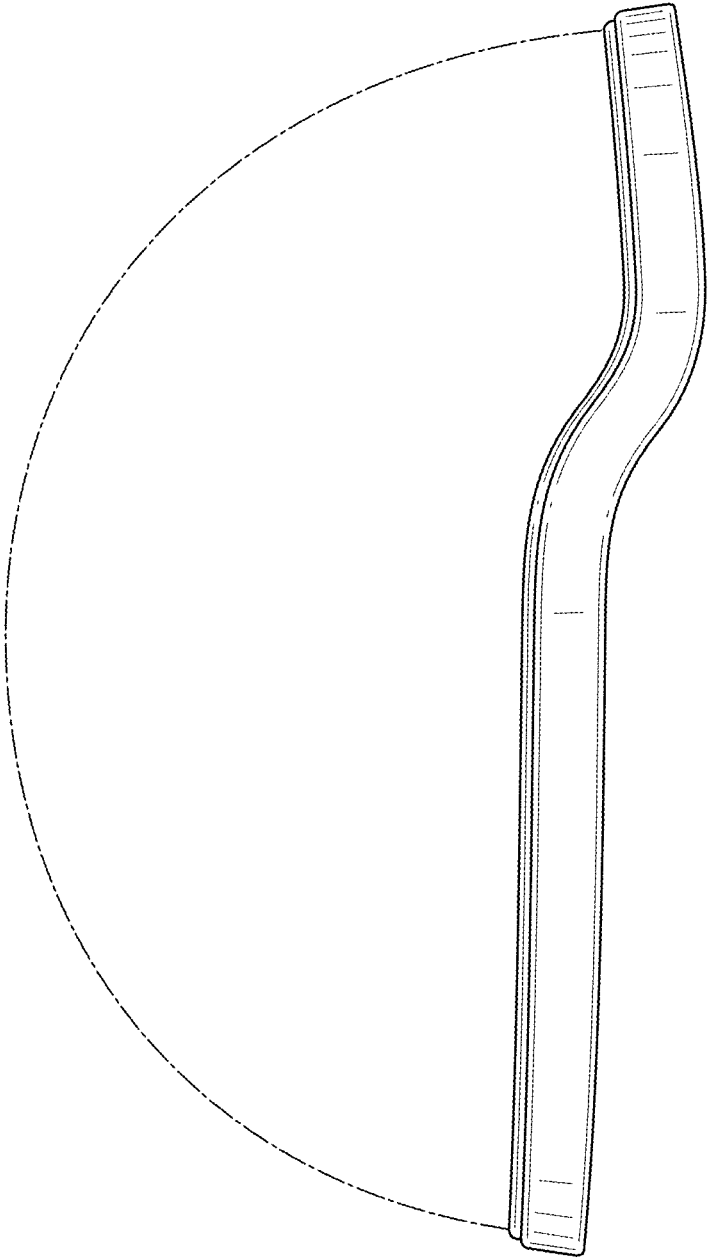


FIG. 10

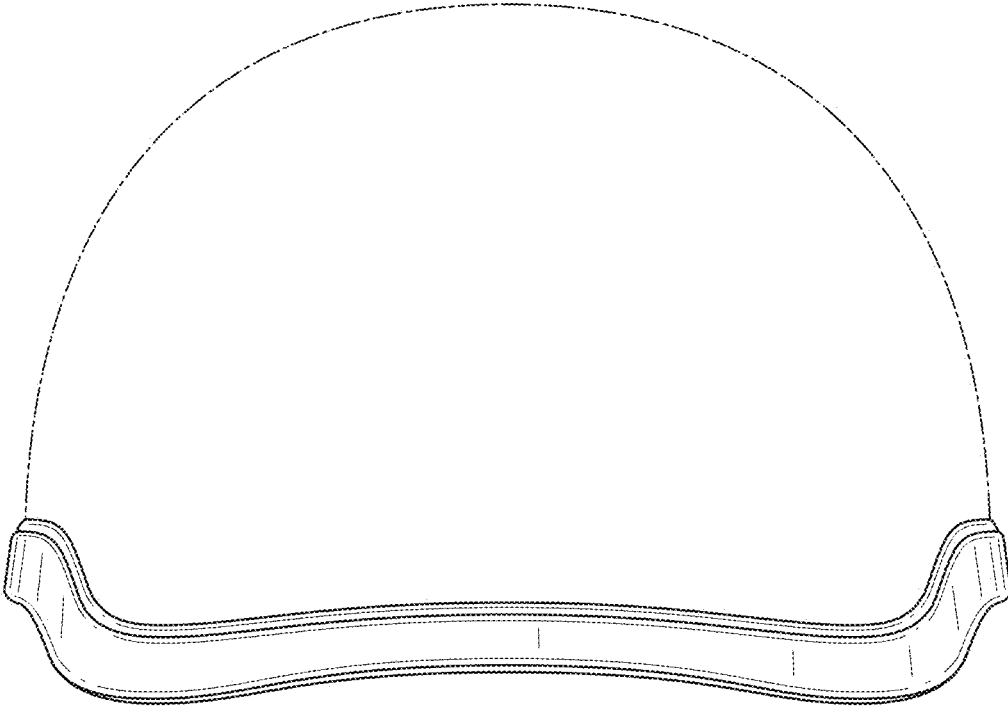


FIG. 11

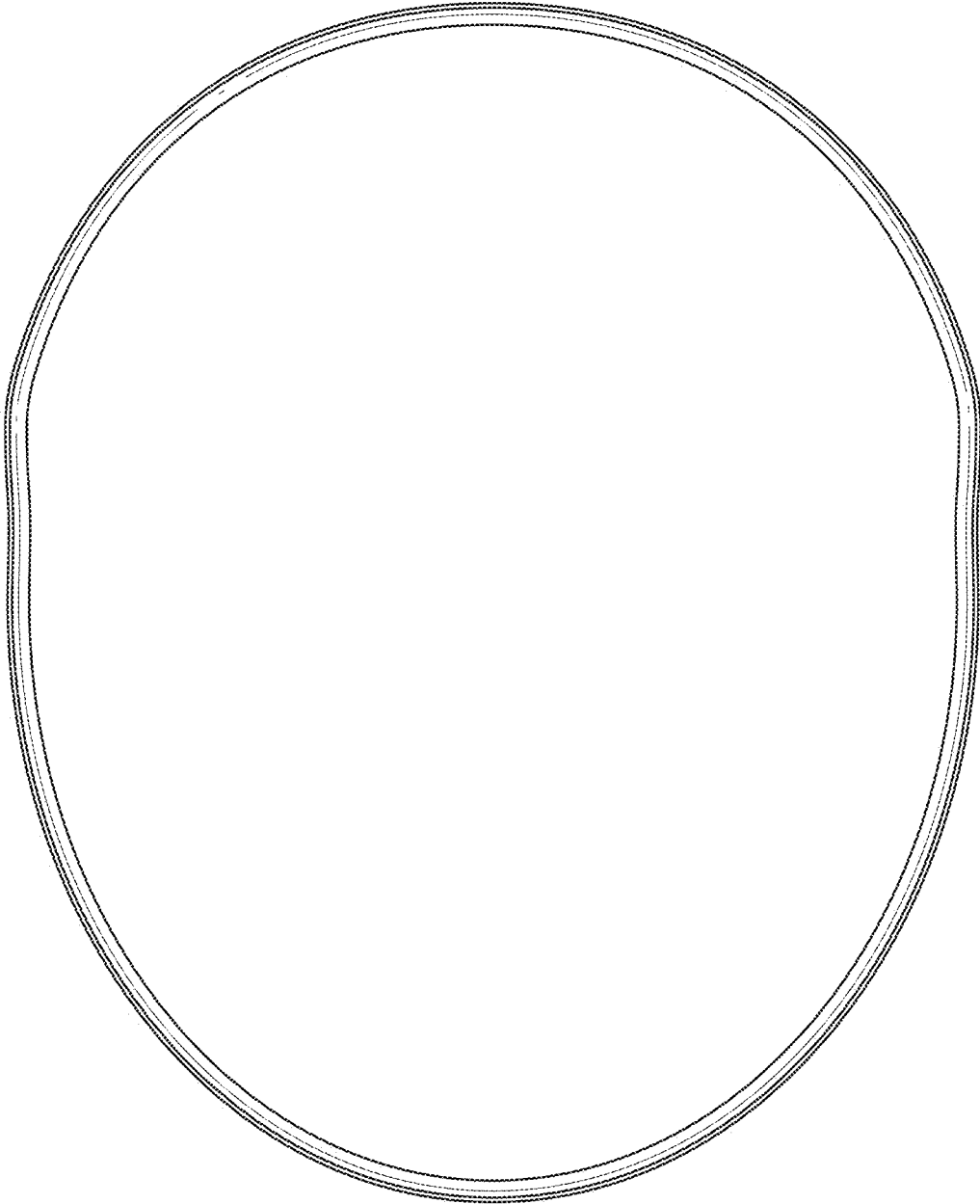


FIG. 12

