



(12) **United States Design Patent**
Deeb et al.

(10) **Patent No.:** **US D872,885 S**
(45) **Date of Patent:** **** Jan. 14, 2020**

- (54) **POOL COPING MEMBER**
- (71) Applicant: **Trojan Leisure Products, LLC**,
Albany, NY (US)
- (72) Inventors: **Stephen E. Deeb**, Schenectady, NY
(US); **Collin J. Sirco**, Ballston Lake,
NY (US); **Nicholas V. Filippelli**,
Loudonville, NY (US)
- (73) Assignee: **Trojan Leisure Products, LLC**,
Albany, NY (US)
- (**) Term: **15 Years**
- (21) Appl. No.: **29/650,199**
- (22) Filed: **Jun. 5, 2018**

- 3,590,400 A * 7/1971 Kessler E04H 4/142
52/716.2
- 3,628,198 A * 12/1971 Katzman E04H 4/142
4/488
- 3,634,892 A * 1/1972 Rains E04H 4/142
52/716.2
- 3,777,318 A 12/1973 Stillman
(Continued)

OTHER PUBLICATIONS

“Metric Series Finishing Options” Brochure, Radiant Pools, 2pp.
2015.

(Continued)

Primary Examiner — L. Martinez
(74) *Attorney, Agent, or Firm* — Tech Valley Patent,
LLC; John Pietrangelo

(57) **CLAIM**

The ornamental design for a pool coping member, as shown
and described.

DESCRIPTION

FIG. 1 is a perspective view of a pool coping member
showing our new design;
FIG. 2 is a top plan view thereof;
FIG. 3 is a left-side elevation view thereof;
FIG. 4 is a right-side elevation view thereof; and,
FIG. 5 is an enlarged front elevation view of the pool coping
member of FIG. 1 shown in a configuration of use, the rear
elevation view being a mirror image thereof.
The broken lines in the drawings illustrate portions of the
pool coping member that form no part of the claimed design.
The other broken lines in FIG. 5 illustrate environmental
subject matter only and form no part of the claimed design.
The pool coping member is shown with a symbolic break in
its length. The appearance of any portion of the pool coping
member between the break lines forms no part of the
claimed design.

Related U.S. Application Data

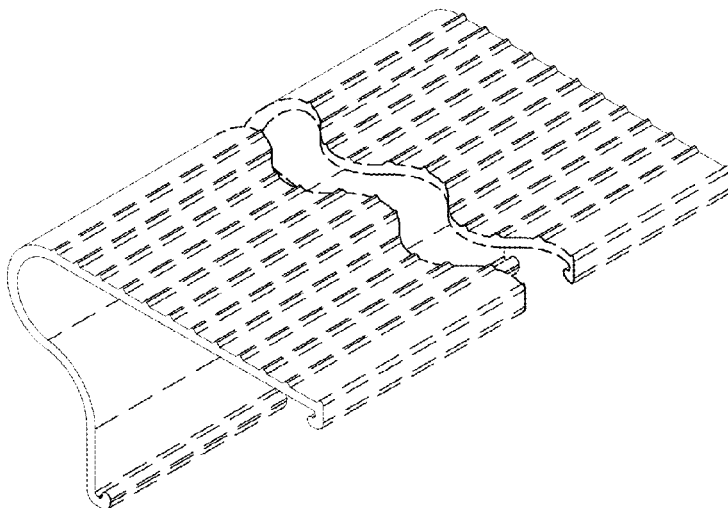
- (63) Continuation of application No. 15/355,545, filed on
Nov. 18, 2016, now Pat. No. 10,006,215.
- (51) **LOC (12) Cl.** **25-01**
- (52) **U.S. Cl.**
USPC **D25/119**
- (58) **Field of Classification Search**
USPC D25/2, 112–116, 118, 119–123, 164, 199
CPC E04H 2004/146; E04H 2004/147; E04H
4/00; E04H 4/14; E04H 4/141; E04H
4/142
See application file for complete search history.

References Cited

U.S. PATENT DOCUMENTS

- D193,055 S * 6/1962 Lamb D25/125
- 3,335,429 A 8/1967 Arp
- 3,351,958 A 11/1967 Shields
- 3,427,663 A 2/1969 O’Connell et al.
- 3,477,190 A 11/1969 Wood
- 3,512,326 A 5/1970 Greene

1 Claim, 3 Drawing Sheets



(56)

References Cited

U.S. PATENT DOCUMENTS

3,785,099 A * 1/1974 Greene E04H 4/142
4/506

3,835,481 A 9/1974 Engelhart et al.

3,839,748 A 10/1974 Stillman, Jr.

4,003,180 A 1/1977 Messuri

4,064,571 A * 12/1977 Phipps E04H 4/142
4/496

D248,778 S * 8/1978 Kaufmann D25/119

4,106,246 A * 8/1978 LaFontaine E04H 4/00
52/169.7

4,229,844 A * 10/1980 Cribben E04H 4/142
4/506

D258,537 S * 3/1981 Cribben D25/125

D258,538 S * 3/1981 Cribben D25/125

D258,618 S * 3/1981 Cribben D25/125

4,429,425 A * 2/1984 Weir E04H 4/142
4/496

4,457,119 A 7/1984 Dahowski

4,603,521 A * 8/1986 Engelhart E04H 4/142
4/506

4,901,492 A 2/1990 Coates

5,107,551 A * 4/1992 Weir E04H 4/14
4/496

5,170,517 A 12/1992 Stegmeier

5,680,730 A 10/1997 Epple

D397,231 S * 8/1998 Saxer D25/119

5,887,295 A * 3/1999 Williamson E04H 4/14
4/496

5,901,386 A * 5/1999 Bragalone E04H 4/14
4/496

6,199,223 B1 * 3/2001 Sorokin E04H 4/14
4/488

6,357,058 B1 * 3/2002 Biancamano E04H 4/14
4/496

6,393,632 B1 * 5/2002 Epple E04H 4/101
4/502

6,457,189 B1 * 10/2002 Kindness E04H 4/142
4/506

6,662,383 B2 * 12/2003 Cornelius E04H 4/142
4/506

6,725,469 B2 * 4/2004 Coates E04H 4/141
4/496

7,861,471 B2 1/2011 Smith

10,006,215 B1 * 6/2018 Deeb E04H 4/142

10,161,152 B1 * 12/2018 Deeb E04H 4/141

2003/0084619 A1 * 5/2003 Smith E04H 4/142
52/102

2005/0091738 A1 5/2005 Smith

2006/0021126 A1 * 2/2006 Vennard E04H 4/142
4/506

2006/0213004 A1 * 9/2006 Bennett E04H 4/141
4/506

2008/0104745 A1 5/2008 Beudoin et al.

2010/0251474 A1 10/2010 Hempleman-Adams

OTHER PUBLICATIONS

“New Premium Coping Installation” Brochure, Radiant Pools, 2pp. 2015.

Office Action issued for parent utility U.S. Appl. No. 15/355,545, dated Jul. 28, 2017, 8 pp.

Office Action issued for parent utility U.S. Appl. No. 15/355,545, dated Feb. 23, 2018, 16 pp.

* cited by examiner

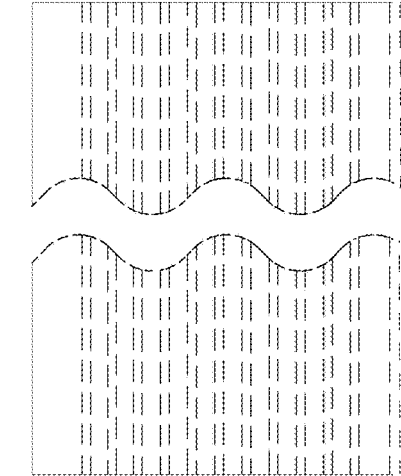


Fig. 2

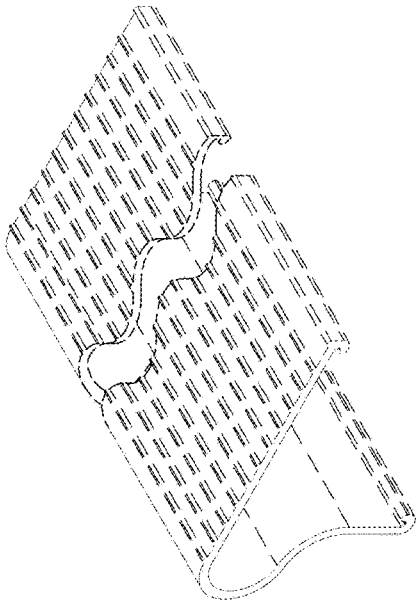


Fig. 1

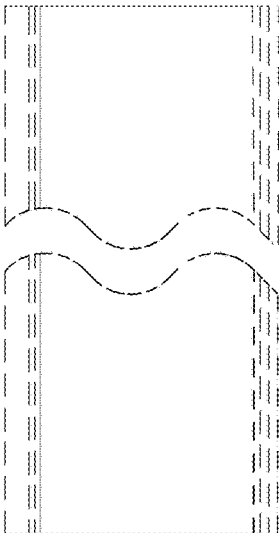


Fig. 4

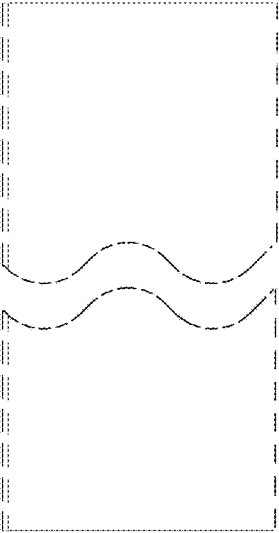


Fig. 3

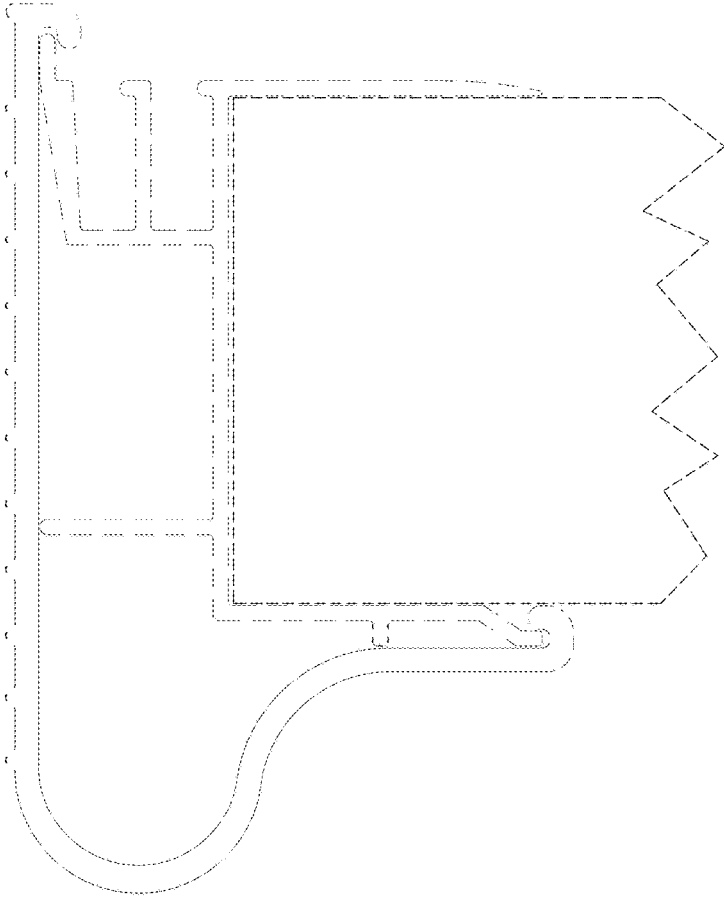


Fig. 5