



US00D872886S

(12) **United States Design Patent**  
**Deeb et al.**

(10) **Patent No.:** **US D872,886 S**  
(45) **Date of Patent:** **\*\* Jan. 14, 2020**

- (54) **POOL COPING MEMBER**
- (71) Applicant: **Trojan Leisure Products, LLC**,  
Albany, NY (US)
- (72) Inventors: **Stephen E. Deeb**, Schenectady, NY  
(US); **Collin J. Sirco**, Ballston Lake,  
NY (US); **Nicholas V. Filippelli**,  
Loudonville, NY (US)
- (73) Assignee: **Trojan Leisure Products, LLC**,  
Albany, NY (US)
- (\*\*) Term: **15 Years**
- (21) Appl. No.: **29/650,203**
- (22) Filed: **Jun. 5, 2018**

3,835,481 A 9/1974 Engelhart et al.  
 3,839,748 A 10/1974 Stillman, Jr.  
 4,003,180 A 1/1977 Messuri  
 4,064,571 A \* 12/1977 Phipps ..... E04H 4/142  
 4/496  
 D249,164 S \* 8/1978 Grant ..... D25/164  
 (Continued)

**OTHER PUBLICATIONS**

“Metric Series Finishing Options” Brochure, Radiant Pools, 2pp.  
2015.  
(Continued)

*Primary Examiner* — L. Martinez  
 (74) *Attorney, Agent, or Firm* — Tech Valley Patent,  
 LLC; John Pietrangelo

(57) **CLAIM**

The ornamental design for a pool coping member, as shown and described.

**DESCRIPTION**

FIG. 1 is a perspective view of a pool coping member showing our new design;  
 FIG. 2 is a top plan view thereof;  
 FIG. 3 is a left-side elevation view thereof;  
 FIG. 4 is a right-side elevation view thereof; and,  
 FIG. 5 is an enlarged front elevation view of the pool coping member of FIG. 1 shown in a configuration of use, the rear elevation view being a mirror image thereof.  
 The broken lines in the drawings illustrate portions of the pool coping member that form no part of the claimed design. The other broken lines in FIG. 5 illustrate environmental subject matter only and form no part of the claimed design. The pool coping member is shown with a symbolic break in its length. The appearance of any portion of the pool coping member between the break lines forms no part of the claimed design.

**1 Claim, 3 Drawing Sheets**

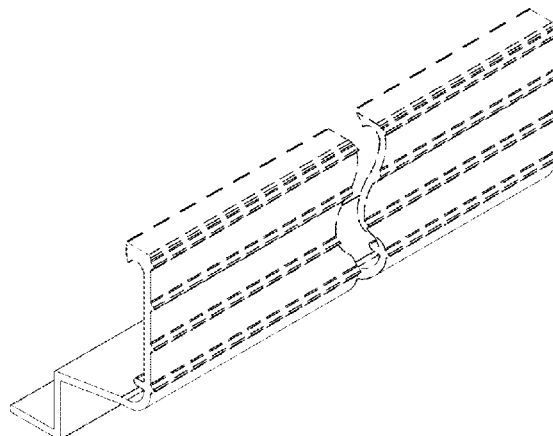
**Related U.S. Application Data**

- (63) Continuation of application No. 15/355,545, filed on Nov. 18, 2016, now Pat. No. 10,006,215.
- (51) **LOC (12) Cl.** ..... **25-01**
- (52) **U.S. Cl.**  
USPC ..... **D25/119**
- (58) **Field of Classification Search**  
USPC .... D25/2, 112–116, 118, 119–123, 164, 199  
CPC ..... E04H 2004/146; E04H 2004/147; E04H  
4/00; E04H 4/14; E04H 4/141; E04H  
4/142  
See application file for complete search history.

**References Cited**

**U.S. PATENT DOCUMENTS**

- 3,335,429 A 8/1967 Arp
- 3,351,958 A 11/1967 Shields
- 3,427,663 A 2/1969 O’Connell et al.
- 3,477,190 A 11/1969 Wood
- 3,512,326 A 5/1970 Greene
- 3,777,318 A 12/1973 Stillman



(56)

References Cited

U.S. PATENT DOCUMENTS

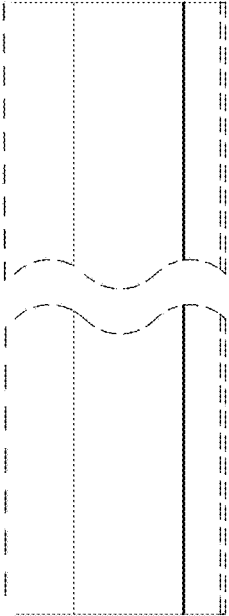
4,106,246 A \* 8/1978 LaFontaine ..... E04H 4/00  
 52/169.7  
 D258,537 S \* 3/1981 Cribben ..... D25/125  
 D258,538 S \* 3/1981 Cribben ..... D25/125  
 D258,618 S \* 3/1981 Cribben ..... D25/125  
 D271,055 S \* 10/1983 Cascone ..... D25/119  
 4,429,425 A \* 2/1984 Weir ..... E04H 4/10  
 4/496  
 4,457,119 A \* 7/1984 Dahowski ..... E04H 4/142  
 4/488  
 4,601,073 A \* 7/1986 Methot ..... E04H 4/142  
 4/506  
 D300,564 S \* 4/1989 Meshulam ..... D25/119  
 4,901,492 A 2/1990 Coates  
 D325,981 S \* 5/1992 Valentin ..... D25/119  
 5,155,872 A \* 10/1992 Aymes ..... E04H 4/142  
 220/4.16  
 5,170,517 A 12/1992 Stegmeier  
 5,680,730 A 10/1997 Epple  
 D397,231 S \* 8/1998 Saxer ..... D25/119  
 6,199,223 B1 \* 3/2001 Sorokin ..... E04H 4/14  
 4/488  
 6,457,189 B1 \* 10/2002 Kindness ..... E04H 4/142  
 4/506  
 6,662,383 B2 \* 12/2003 Cornelius ..... E04H 4/142  
 4/506

6,725,469 B2 \* 4/2004 Coates ..... E04H 4/141  
 4/496  
 7,861,471 B2 1/2011 Smith  
 D638,142 S \* 5/2011 Van Camp ..... D25/119  
 D653,770 S \* 2/2012 Olmsted ..... D25/138  
 10,006,215 B1 \* 6/2018 Deeb ..... E04H 4/141  
 10,161,152 B1 \* 12/2018 Deeb ..... E04H 4/141  
 2003/0084619 A1 \* 5/2003 Smith ..... E04H 4/142  
 52/102  
 2005/0091738 A1 \* 5/2005 Smith ..... E04H 4/142  
 4/506  
 2006/0207008 A1 \* 9/2006 Stancill ..... E04H 4/141  
 4/506  
 2008/0104745 A1 5/2008 Beudoin et al.  
 2010/0251474 A1 10/2010 Hempleman-Adams  
 2018/0163421 A1 \* 6/2018 Crocker ..... E04H 4/142

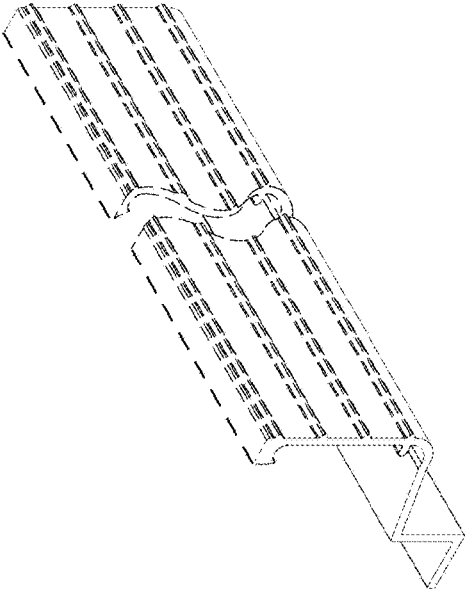
OTHER PUBLICATIONS

“New Premium Coping Installation” Brochure, Radiant Pools, 2pp.  
 2015.  
 Office Action issued for parent utility U.S. Appl. No. 15/355,545,  
 dated Jul. 28, 2017, 8 pp.  
 Office Action issued for parent utility U.S. Appl. No. 15/355,545,  
 dated Feb. 23, 2018, 16 pp.

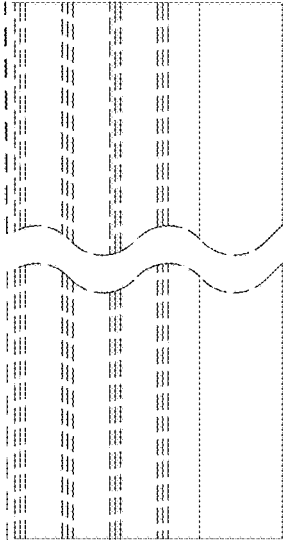
\* cited by examiner



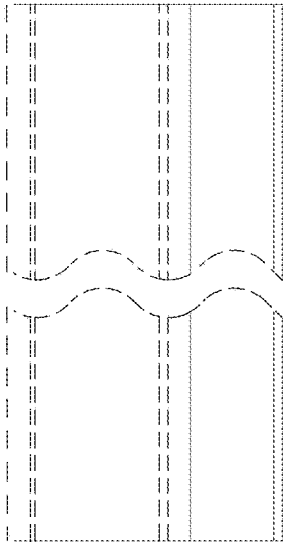
**Fig. 2**



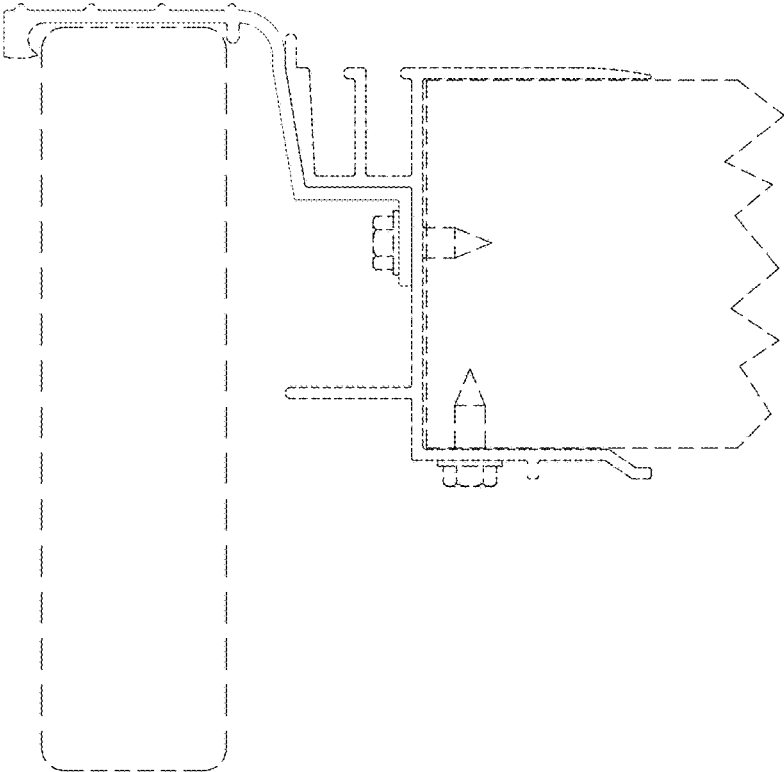
**Fig. 1**



**Fig. 4**



**Fig. 3**



**Fig. 5**