



US00D649094S

(12) **United States Design Patent**
Cordes

(10) **Patent No.:** **US D649,094 S**

(45) **Date of Patent:** **** Nov. 22, 2011**

(54) **DOCK FENDER**

(76) Inventor: **John A. Cordes**, Glens Falls, NY (US)

(**) Term: **14 Years**

(21) Appl. No.: **29/342,527**

(22) Filed: **Aug. 26, 2009**

(51) **LOC (9) Cl.** **12-16**

(52) **U.S. Cl.** **D12/168**

(58) **Field of Classification Search** D12/168,
D12/300, 303, 306, 317, 318; 114/219

See application file for complete search history.

(56) **References Cited**

U.S. PATENT DOCUMENTS

2,754,792 A	7/1956	Baird	
3,372,552 A	3/1968	Liddell	
3,498,252 A	3/1970	Peacock	
D235,986 S	7/1975	Nielsen	
3,937,170 A	2/1976	Drewett	
3,950,953 A	4/1976	Matthews	
4,113,110 A	9/1978	Mittag	
4,227,832 A	10/1980	Leone	
4,641,999 A	2/1987	Korbuly	
4,664,053 A	5/1987	Mesinger	
D297,627 S *	9/1988	Patton	D12/168
4,920,907 A	5/1990	Richter	

D359,019 S	6/1995	Kimball	
D377,775 S	2/1997	Barton, Jr.	
D510,895 S *	10/2005	Nelson	D12/168
7,237,502 B1 *	7/2007	Atkinson	114/219

* cited by examiner

Primary Examiner — Lisa Lichtenstein

(74) *Attorney, Agent, or Firm* — Heslin Rothenberg Farley & Mesiti P.C.

(57) **CLAIM**

The ornamental design for a dock fender, as shown and described.

DESCRIPTION

FIG. 1 is a front perspective view of a dock fender comprising the new design;

FIG. 2 is a rear perspective view thereof;

FIG. 3 is a right side elevation view thereof, the left side elevation view being a mirror image thereof;

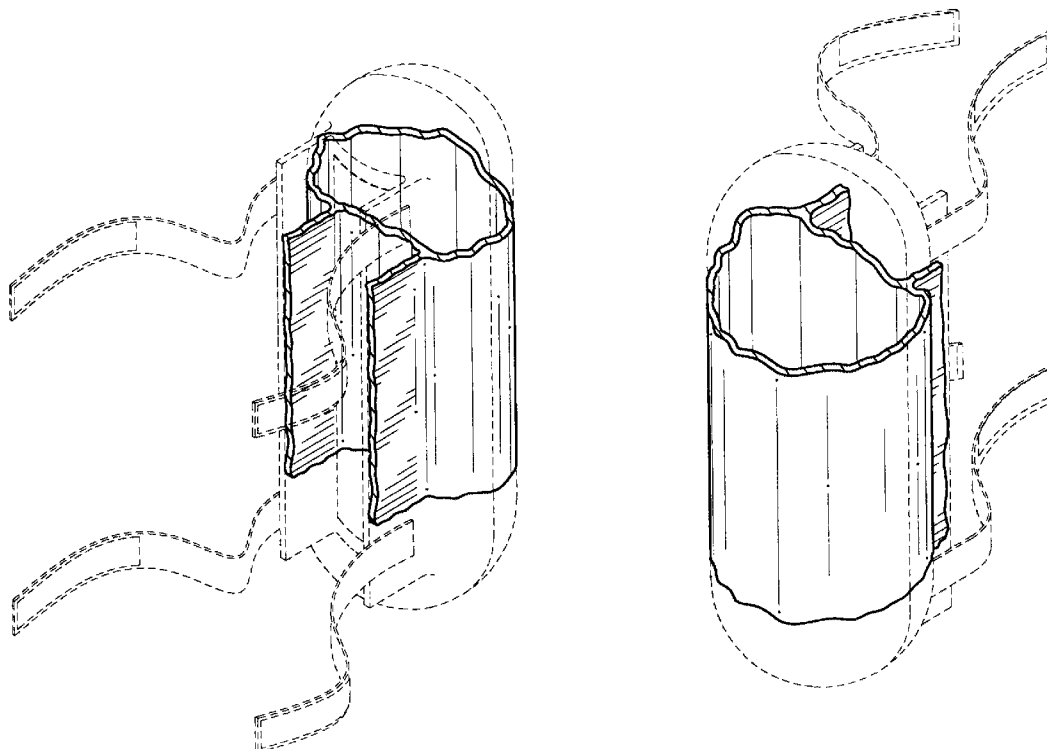
FIG. 4 is a front elevation view thereof;

FIG. 5 is a rear elevation view thereof; and,

FIG. 6 is an top view thereof, the bottom view being a mirror image thereof;

The broken line showing of a dock fender is included for the purpose of illustrating environmental structure and forms no part of the claimed design.

1 Claim, 3 Drawing Sheets



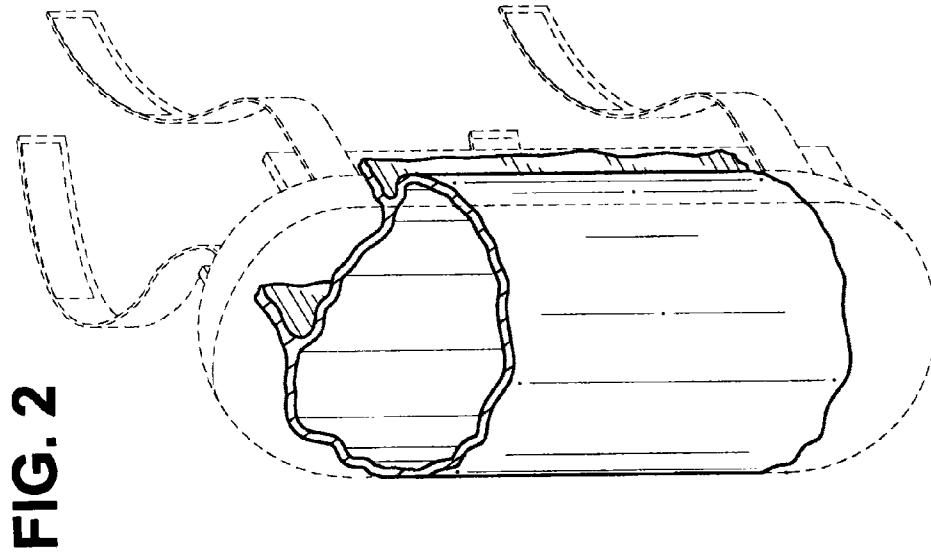


FIG. 2

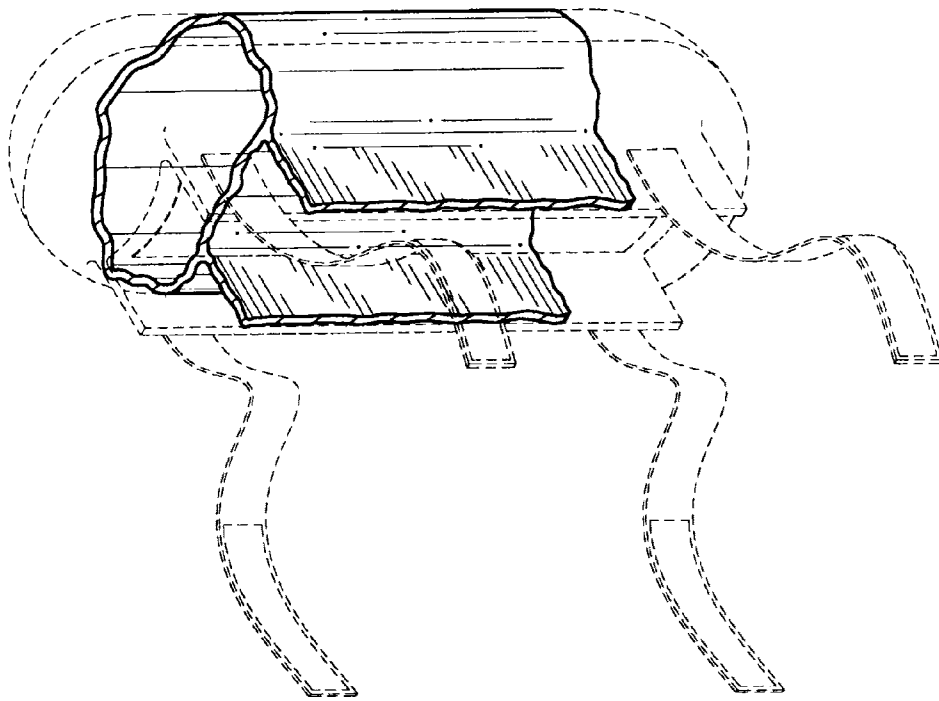


FIG. 1

FIG. 5

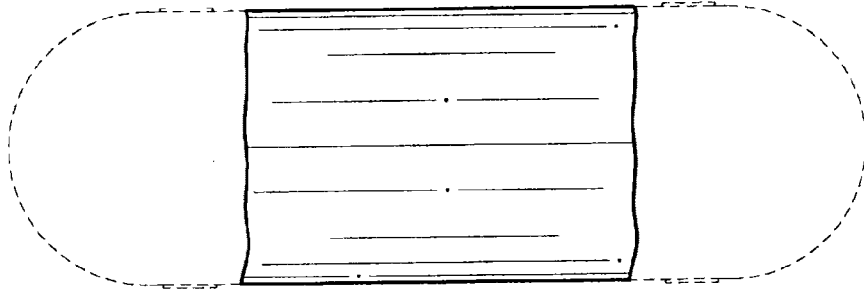


FIG. 4

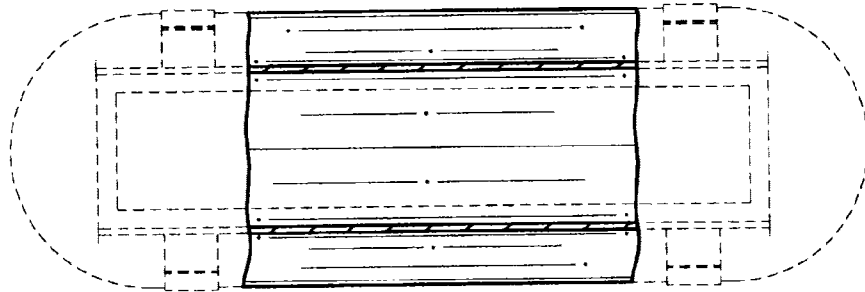


FIG. 3

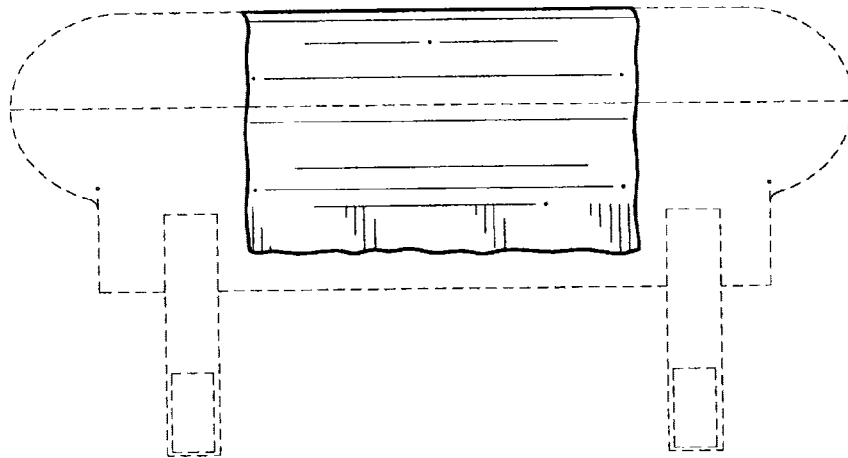


FIG. 6

